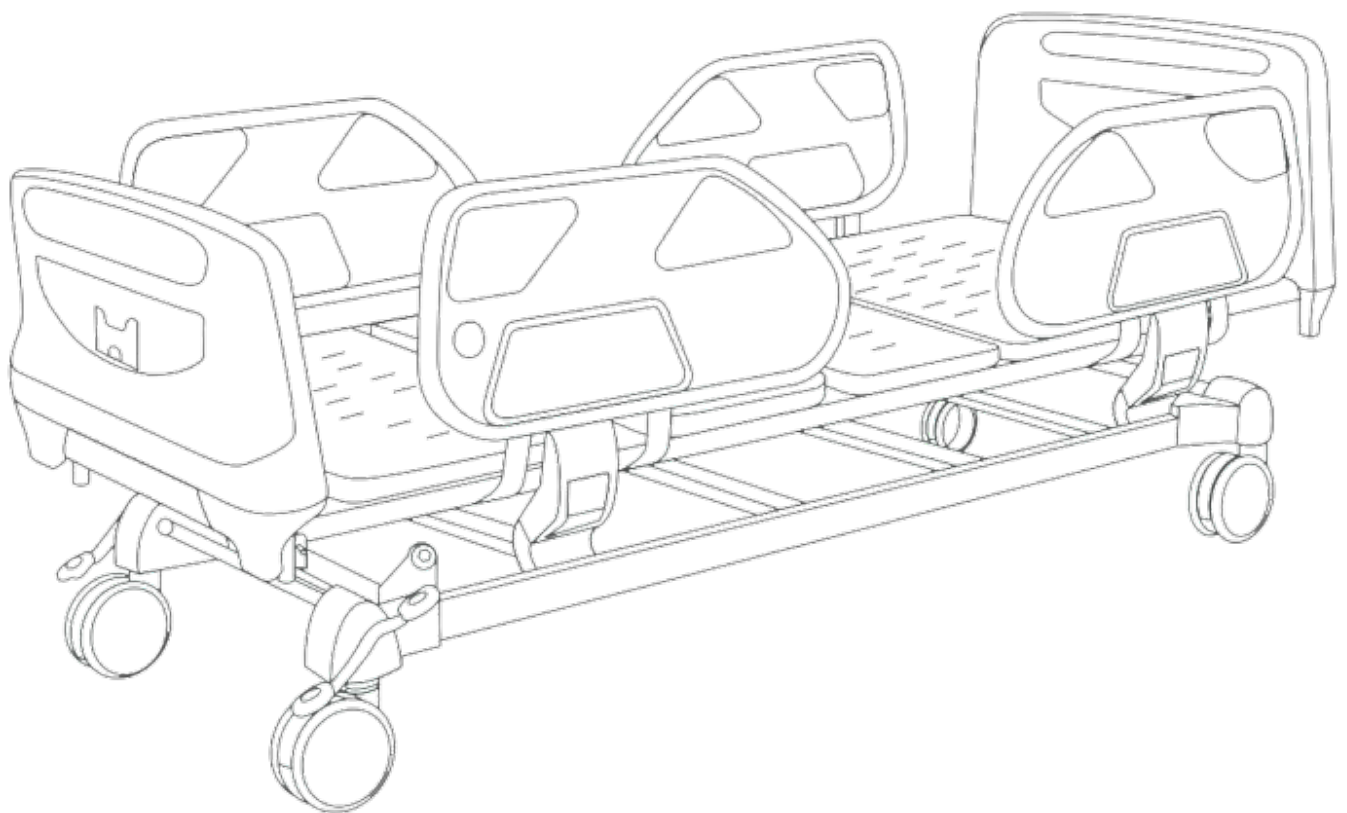


ENTERPRISE srl

Hospital Furniture Trade



Isorella (Brescia) Italy - Via Garibaldi 36 - Ph: +39 030 9523043
Mob: +39 334 8204934 - info@figaroligirolamo.com





WELCOME

to 25 years of trade

PATENT CERTIFICATE STRENGTH WITNESS

-----COMPANY INTRODUCTION-----



Electric Multifunction Hospital Bed



BE71



Technical Parameters

External Length	2040-2240mm
External Width	1020mm
Bed Height Min	500mm
Bed Height Max	950mm
Mattress Platform	1820-2020*820mm
Safe Working Load	250kg

Optional

<input type="checkbox"/> Weighing System With LCD Screen
<input type="checkbox"/> Data Storage System
<input type="checkbox"/> Monkey Pole
<input type="checkbox"/> Weighing System

Technical Configuration

<input checked="" type="checkbox"/> Linear Motor	6pcs
<input checked="" type="checkbox"/> 6" Double Side Castors,Central Locking	4pcs
<input checked="" type="checkbox"/> PP Foldable Side Rail	1set
<input checked="" type="checkbox"/> ABS Bed Ends One Step Removable	1set
<input checked="" type="checkbox"/> Wall Bumper Wheel	4pcs
<input checked="" type="checkbox"/> IV Pole	1pc
<input checked="" type="checkbox"/> IV Pole Prevision	4pcs
<input checked="" type="checkbox"/> Drainage hook	2pcs
<input checked="" type="checkbox"/> Central Locking Pedal	2pcs
<input checked="" type="checkbox"/> X-ray Translucent Mattress Platform	1set
<input checked="" type="checkbox"/> Back-up Battery	1set
<input checked="" type="checkbox"/> Manual CPR	
<input checked="" type="checkbox"/> Electric CPR	

 Back-rest 75° ±10°	 Knee-rest 35° ±10°	 Reverse Trendelenburg 12° ±3°	 290mm Bed Extension	 Cardiac Chair Position	 Weighing System (Optional)
 CPR (Instant release)	 Angle Indicator	 Auto-Regression	 Trendelenburg 12° ±3°	 500-950mm Height Adjustment	

BE72



Technical Parameters

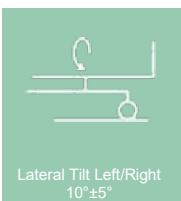
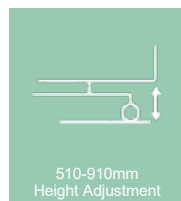
Bed Length Min	2190mm
Bed Length Max	2220mm
Bed Width	1050mm
Bed Height Min	510mm
Bed Height Max	910mm
Mattress Platform	1925-2075mm*900mm
Safe Working Load	250kg

Optional

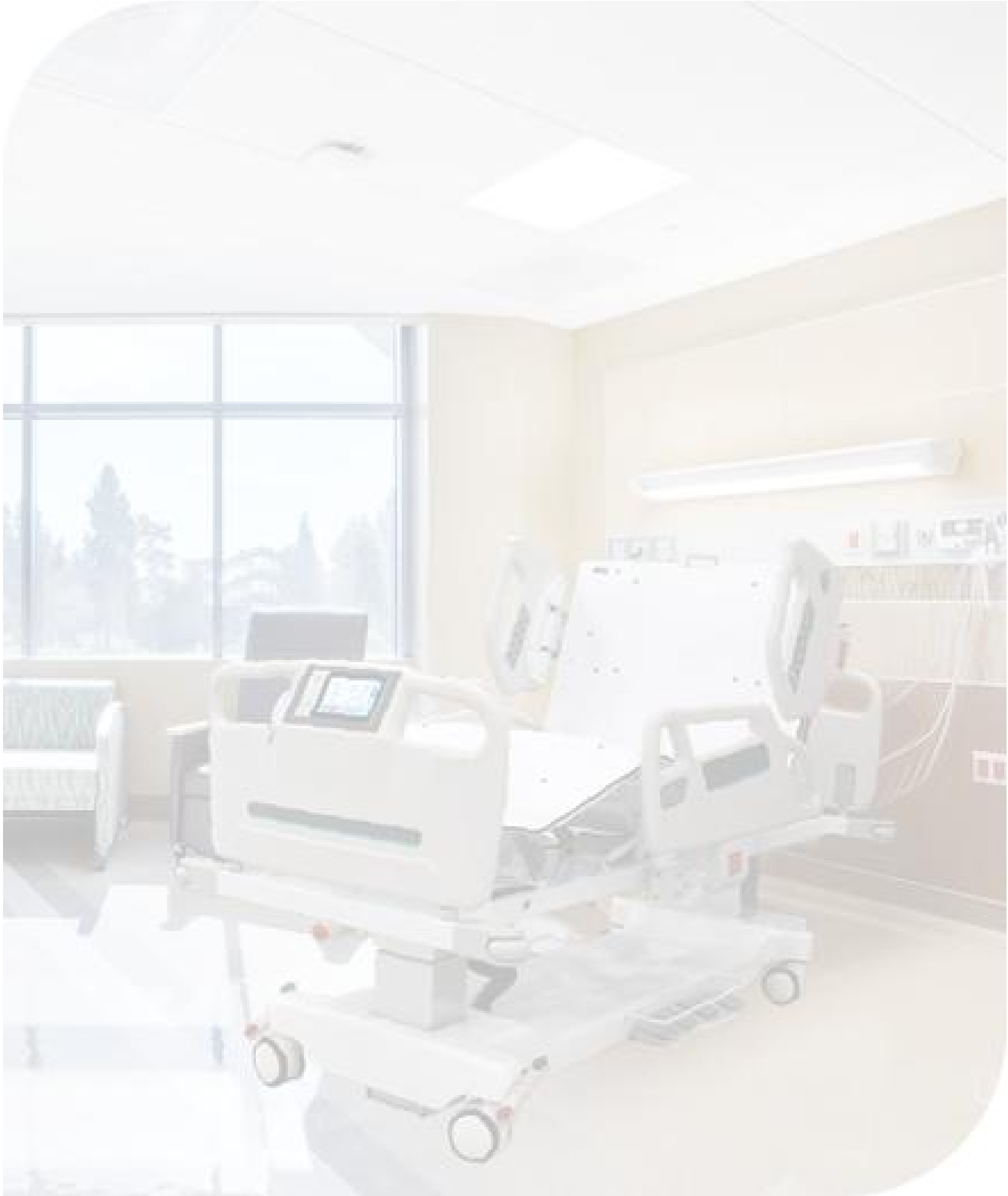
<input type="checkbox"/> Weighing System With LCD Screen (foot board)
<input type="checkbox"/> Data Storage System
<input type="checkbox"/> Monkey Pole
<input type="checkbox"/> Back-up Battery
<input type="checkbox"/> Night Light
<input type="checkbox"/> Utility Container

Technical Configuration

<input checked="" type="checkbox"/> Linear Motor	6pcs
<input checked="" type="checkbox"/> 6" Double-Side Caster	4pcs
<input checked="" type="checkbox"/> ABSFoldable Side Rail	1set
<input checked="" type="checkbox"/> ABSBed Endwith Safe Lock	1set
<input checked="" type="checkbox"/> Wall Bumper Wheel	4pcs
<input checked="" type="checkbox"/> IV Pole	1pc
<input checked="" type="checkbox"/> IV Pole Prevision	4pcs
<input checked="" type="checkbox"/> Drainage hook	2pcs
<input checked="" type="checkbox"/> Central Locking Pedal	2pcs
<input checked="" type="checkbox"/> X-ray Translucent(Back Section)	1set
<input checked="" type="checkbox"/> Foot Control Pedal	2sets
<input checked="" type="checkbox"/> ACP (Attendant Control Panel)	4pcs
<input checked="" type="checkbox"/> Angle Indicator	4pcs
<input checked="" type="checkbox"/> Manual CPR	
<input checked="" type="checkbox"/> Electric CPR	



Electric Multifunction Hospital Bed



BE75



Technical Parameters

External Length	2230mm
External Width	1050mm
Bed Height Min	530mm
Bed Height Max	770mm
Mattress Platform	1940*900mm
Safe Working Load	250kg

Optional

<input type="checkbox"/> Night Light
<input type="checkbox"/> Electric CPR
<input type="checkbox"/> Monkey Pole
<input type="checkbox"/> X-ray Translucent Mattress Platform (Back Section)

Technical Configuration

<input checked="" type="checkbox"/> Linear Motor	4 pcs
<input checked="" type="checkbox"/> 150mm Castor	4 pcs
<input checked="" type="checkbox"/> Central Locking Pedal	1 pc
<input checked="" type="checkbox"/> Control Panel	5 pcs
<input checked="" type="checkbox"/> PP Foldable Side Rail	1 set
<input checked="" type="checkbox"/> PP Bed Ends with Safe Lock	1 set
<input checked="" type="checkbox"/> IV Pole	1 pc
<input checked="" type="checkbox"/> IV Pole Prevision	6 pcs
<input checked="" type="checkbox"/> Drainage hook	2 pcs
<input checked="" type="checkbox"/> Angle Indicator	4 pcs
<input checked="" type="checkbox"/> Bumper Wheel	4 pcs
<input checked="" type="checkbox"/> Back-up Battery	1 pc
<input checked="" type="checkbox"/> Manual CPR	
<input checked="" type="checkbox"/> Weighing System	1 set



BE59C



Technical Parameters

External Length	2230mm
External Width	1000mm
Bed Height Min	450mm
Bed Height Max	750mm
Mattress Platform	1925*900mm
Safe Working Load	250kg

Optional

<input type="checkbox"/> Night Light
<input type="checkbox"/> Electric CPR
<input type="checkbox"/> Monkey Pole

Technical Configuration

<input checked="" type="checkbox"/> Linear Motor	4 pcs
<input checked="" type="checkbox"/> 150mm Castor	4 pcs
<input checked="" type="checkbox"/> Central Locking Pedal	1 pc
<input checked="" type="checkbox"/> PP Bed Ends with Safe Lock	1 set
<input checked="" type="checkbox"/> PP Foldable Side Rail	1 set
<input checked="" type="checkbox"/> Control Panel	4 pcs
<input checked="" type="checkbox"/> With Finction Lock on handheld contrller	1 pc
<input checked="" type="checkbox"/> IV Pole	1 pc
<input checked="" type="checkbox"/> IV Pole Prevision	4 pcs
<input checked="" type="checkbox"/> Drainage hook	2 pcs
<input checked="" type="checkbox"/> Angle Indicator	4 pcs
<input checked="" type="checkbox"/> Bumper Wheel	4 pcs
<input checked="" type="checkbox"/> X-ray Translucent Mattress Platform (Back Section)	
<input checked="" type="checkbox"/> Manual CPR	



BE59A



Technical Parameters

External Length	2190mm
External Width	1020mm
Bed Height Min	455mm
Bed Height Max	745mm
Mattress Platform	1925*900mm
Safe Working Load	250kg

Optional

<input type="checkbox"/> Back-up Battery
<input type="checkbox"/> Nurse Controller
<input type="checkbox"/> Night Light
<input type="checkbox"/> Monkey Pole
<input type="checkbox"/> Manual CPR
<input type="checkbox"/> Electric CPR

Technical Configuration

<input checked="" type="checkbox"/> Linear Motor	4 pcs
<input checked="" type="checkbox"/> 5" Double-Side Caster	4 pcs
<input checked="" type="checkbox"/> HDPP Bed End	1 set
<input checked="" type="checkbox"/> HDPP Side Rail	1 set
<input checked="" type="checkbox"/> IV Pole	1 pc
<input checked="" type="checkbox"/> IV Pole Prevision	4 pcs
<input checked="" type="checkbox"/> Drainage hook	2 pcs
<input checked="" type="checkbox"/> Bumper Wheel	4 pcs
<input checked="" type="checkbox"/> Hand Controller	1 pc
<input checked="" type="checkbox"/> Built-in Angle Indicator	8 pcs
<input checked="" type="checkbox"/> Central Locking Pedal	2 pcs

Back-rest 75° ± 10°

Knee-rest 35° ± 10°

Reverse Trendelenburg 12° ± 3°

Height Adjustment 455-745mm

Trendelenburg 12° ± 3°

BE55C



Technical Parameters

External Length	2190mm
External Width	1020mm
Bed Height Min	455mm
Bed Height Max	745mm
Mattress Platform	1925*900mm
Safe Working Load	250kg

Optional

<input type="checkbox"/> Back-up Battery
<input type="checkbox"/> Bed Extension
<input type="checkbox"/> Nurse Controller
<input type="checkbox"/> Auto-regression Function (Back Section)
<input type="checkbox"/> Night Light
<input type="checkbox"/> Monkey Pole
<input type="checkbox"/> Manual CPR
<input type="checkbox"/> Electric CPR

Technical Configuration

<input checked="" type="checkbox"/> Linear Motor	4pcs
<input checked="" type="checkbox"/> 5" Double-Side Caster	4pcs
<input checked="" type="checkbox"/> PP Foldable Side Rail	1set
<input checked="" type="checkbox"/> ABS Bed Ends with Safe Lock	1set
<input checked="" type="checkbox"/> Central Locking Pedal	1pc
<input checked="" type="checkbox"/> IV Pole	1pc
<input checked="" type="checkbox"/> IV Pole Prevision	4pcs
<input checked="" type="checkbox"/> Drainage hook	2pcs
<input checked="" type="checkbox"/> Front and back tilt angle display	4pcs
<input checked="" type="checkbox"/> Hand Controller	1pc
<input checked="" type="checkbox"/> Angle Indicator	4pcs

Back-rest 75°±5°

Knee-rest 35° ± 5°

Reverse Trendelenburg
12±3°

Height Adjustment
455-745mm

Trendelenburg 12°±3°

BE55D



Technical Parameters

External Length	2190
External Width	1050mm
Bed Height Min	455mm
Bed Height Max	745mm
Mattress Platform	1925*900mm
Safe Working Load	250kg

Technical Configuration

<input checked="" type="checkbox"/> Linear Motor	4pcs
<input checked="" type="checkbox"/> 5" Double-Side Caster	4pcs
<input checked="" type="checkbox"/> ABS Foldable Side Rail	1set
<input checked="" type="checkbox"/> ABS Bed Ends with Safe Lock	1set
<input checked="" type="checkbox"/> IV Pole	1pc
<input checked="" type="checkbox"/> IV Pole Prevision	4pcs
<input checked="" type="checkbox"/> Foot Control Pedal	1set
<input checked="" type="checkbox"/> X-ray Translucent (Back Section)	1set
<input checked="" type="checkbox"/> Button Control Panel	5pcs
<input checked="" type="checkbox"/> Angle Indicator	4pcs
<input checked="" type="checkbox"/> Drainage hook	2pcs
<input checked="" type="checkbox"/> Emergency button	1pc
<input checked="" type="checkbox"/> Manual CPR	
<input checked="" type="checkbox"/> Electric CPR	

Optional

<input type="checkbox"/> Weighing System With LCD Screen
<input type="checkbox"/> Data Storage System
<input type="checkbox"/> Monkey Pole

Back-rest 75°±10°

Knee-rest 35°±10°

Reverse Trendelenburg
12°±3°

Height Adjustment
455-745mm

Trendelenburg 12°±3°

BE73



Technical Parameters

External Length	2150mm
External Width	1050mm
Bed Height Min	455mm
Bed Height Max	750mm
Mattress Platform	1925*900mm
Safe Working Load	250kg

Optional

Weighting System With LCD Screen(foot board)
Data Storage System
Monkey Pole
Back-up Battery
Night Light
Utility Container

Technical Configuration

<input checked="" type="checkbox"/> Linear Motor	4pcs
<input checked="" type="checkbox"/> 5" Double-Side Caster	4pcs
<input checked="" type="checkbox"/> ABS Foldable Side Rail	1set
<input checked="" type="checkbox"/> ABS Bed Ends with Safe Lock	1set
<input checked="" type="checkbox"/> Bumper Wheel	4pcs
<input checked="" type="checkbox"/> IV Pole	1pc
<input checked="" type="checkbox"/> IV Pole Prevision	4pcs
<input checked="" type="checkbox"/> Central Locking Pedal	1set
<input checked="" type="checkbox"/> X-ray Translucent (Back Section)	1set
<input checked="" type="checkbox"/> Button Control Panel	4pcs
<input checked="" type="checkbox"/> Touch Control Panel	1pc
<input checked="" type="checkbox"/> Angle Indicator	4pcs
<input checked="" type="checkbox"/> Manual CPR	
<input checked="" type="checkbox"/> Electric CPR	

Back-rest 80°±5°

Knee-rest 45° ± 5°

Reverse Trendelenburg
12±3°

Height Adjustment
455-750mm

Trendelenburg 12°±3°

BER11K3



Technical Parameters

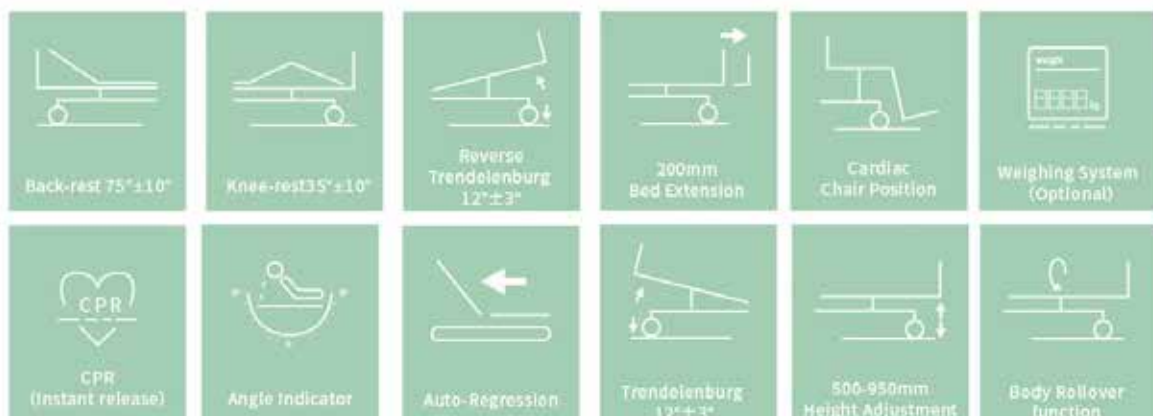
External Length	2040-2240mm
External Width	1020mm
Bed Height Min	500mm
Bed Height Max	950mm
Mattress Platform	1820-2020*820mm
Safe Working Load	250kg

Technical Configuration

<input checked="" type="checkbox"/> Linear Motor	6pcs
<input checked="" type="checkbox"/> 6" Double Side Castors,Central Locking	4pcs
<input checked="" type="checkbox"/> PP Foldable Side Rail	1set
<input checked="" type="checkbox"/> ABS Bed Ends One Step Removable	1set
<input checked="" type="checkbox"/> Wall Bumper Wheel	4pcs
<input checked="" type="checkbox"/> IV Pole	1pc
<input checked="" type="checkbox"/> IV Pole Prevision	4pcs
<input checked="" type="checkbox"/> Drainage hook	2pcs
<input checked="" type="checkbox"/> Central Locking Pedal	2pcs
<input checked="" type="checkbox"/> X-ray Translucent Mattress Platform	1set
<input checked="" type="checkbox"/> Back-up Battery	1set
<input checked="" type="checkbox"/> CPR	

Optional

<input type="checkbox"/> Weighing System With LCD Screen
<input type="checkbox"/> Data Storage System
<input type="checkbox"/> Monkey Pole



BE51N



Technical Parameters

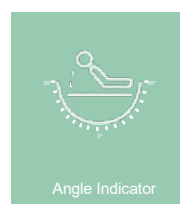
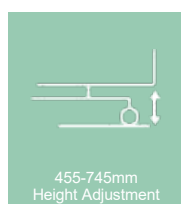
External Length	2190mm
External Width	1020mm
Bed Height Min	455mm
Bed Height Max	745mm
Mattress Platform	1925*900mm
Safe Working Load	250kg

Technical Configuration

<input checked="" type="checkbox"/> Linear Motor	4pcs
<input checked="" type="checkbox"/> 5" Double Side Castors, Central Locking	4pcs
<input checked="" type="checkbox"/> PP Foldable Side Rail	1set
<input checked="" type="checkbox"/> ABS Bed Ends with Safe Lock	1set
<input checked="" type="checkbox"/> Wall Bumper Wheel	4pcs
<input checked="" type="checkbox"/> IV Pole	1pcs
<input checked="" type="checkbox"/> IV Pole Prevision	4pcs
<input checked="" type="checkbox"/> Drainage hook	2pcs
<input checked="" type="checkbox"/> Hand Controller	1pc

Optional

<input type="checkbox"/> Back-up Battery
<input type="checkbox"/> Bed Extension
<input type="checkbox"/> Nurse Controller
<input type="checkbox"/> Auto-regression Function (Back Section)
<input type="checkbox"/> Night Light
<input type="checkbox"/> Manual CPR
<input type="checkbox"/> Electric CPR
<input type="checkbox"/> X-ray Translucent Mattress Platform (Back Section)
<input type="checkbox"/> Utility Container
<input type="checkbox"/> Monkey Pole



BER11K4



Technical Parameters

External Length	2240mm
External Width	1050mm
Bed Height Min	500mm
Bed Height Max	750mm
Mattress Platform	1940*900mm
Safe Working Load	250kg

Technical Configuration

<input checked="" type="checkbox"/> Linear Motor	4pcs
<input checked="" type="checkbox"/> 6" Double Side Castors	4pcs
<input checked="" type="checkbox"/> Control Panel	5pcs
<input checked="" type="checkbox"/> PP Foldable Side Rail	1set
<input checked="" type="checkbox"/> ABS Bed End	1set
<input checked="" type="checkbox"/> IV Pole	1pc
<input checked="" type="checkbox"/> IV Pole Prevision	4pcs
<input checked="" type="checkbox"/> Drainage hook	2pcs
<input checked="" type="checkbox"/> Angle Indicator	4pcs
<input checked="" type="checkbox"/> Bumper Wheel	4pcs
<input checked="" type="checkbox"/> Back-up Battery	1pc
<input checked="" type="checkbox"/> Manual CPR	
<input checked="" type="checkbox"/> Electric CPR	

Optional

<input type="checkbox"/> Night Light
<input type="checkbox"/> Monkey Pole
<input type="checkbox"/> X-ray Translucent Back Section
<input type="checkbox"/> Hand Controller
<input type="checkbox"/> Bed Extension

Back-rest 65°±10°

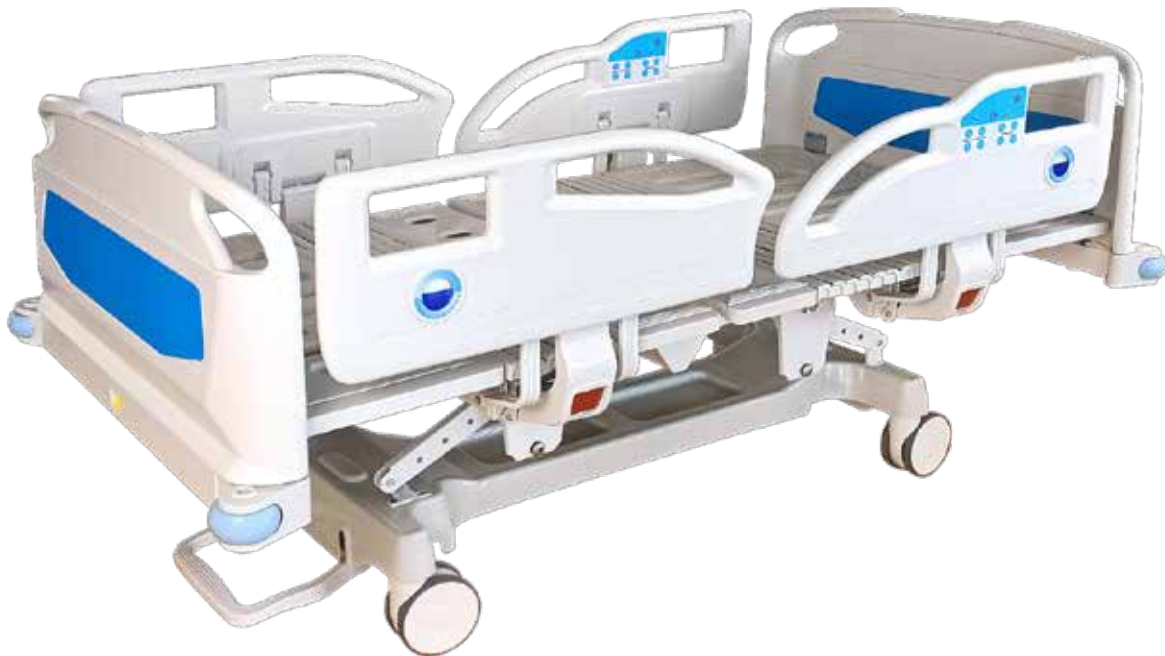
Knee-rest 40°±10°

Reverse Trendelenburg
12°±3°

500-750mm
Height Adjustment

Trendelenburg 12°±3°

BE58A



Technical Parameters

External Length	2130-2350mm
External Width	1045mm
Bed Height Min	470mm
Bed Height Max	737mm
Mattress Platform	1925*900mm
Safe Working Load	250kg

Technical Configuration

<input checked="" type="checkbox"/> Linear Motor	4pcs
<input checked="" type="checkbox"/> 6" Double Side Castors	4pcs
<input checked="" type="checkbox"/> Central Locking Pedal	1pc
<input checked="" type="checkbox"/> ABS Bed End with Safe Lock	1set
<input checked="" type="checkbox"/> PP Foldable Side Rail	1set
<input checked="" type="checkbox"/> Control Panel	4pcs
<input checked="" type="checkbox"/> Hand Controller	1pc
<input checked="" type="checkbox"/> IV Pole	1pc
<input checked="" type="checkbox"/> IV Pole Prevision	4pcs
<input checked="" type="checkbox"/> Drainage hook	2pcs
<input checked="" type="checkbox"/> Angle Indicator	4pcs
<input checked="" type="checkbox"/> Back-up Battery	1pc
<input checked="" type="checkbox"/> Bumper Wheel	4pcs
<input checked="" type="checkbox"/> Manual CPR	
<input checked="" type="checkbox"/> Electric CPR	

Optional

<input type="checkbox"/> Night Light
<input type="checkbox"/> X-ray Translucent Back Section)
<input type="checkbox"/> Monkey Pole

Back-rest 70°±10°

Knee-rest 40°±10°

Reverse Trendelenburg
12°±3°

470-737mm
Height Adjustment

Trendelenburg 12°±3°

BEJ5K3



Technical Parameters

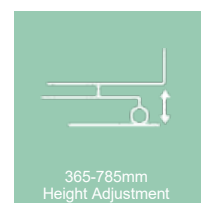
External Length	2190mm
External Width	1050mm
Bed Height Min	365mm
Bed Height Max	785mm
Mattress Platform	2025*1015mm
Safe Working Load	250kg

Optional

<input type="checkbox"/> Bed Extension
<input type="checkbox"/> Auto-regression Function
<input type="checkbox"/> Night Light
<input type="checkbox"/> X-ray Translucent Mattress Platform (Back Section)
<input type="checkbox"/> Utility Container
<input type="checkbox"/> Monkey Pole

Technical Configuration

<input checked="" type="checkbox"/> Linear Motor	4pcs
<input checked="" type="checkbox"/> 5" Double Side Castors,Central Locking	4pcs
<input checked="" type="checkbox"/> PP Foldable Side Rail	1set
<input checked="" type="checkbox"/> ABS Bed Ends	1set
<input checked="" type="checkbox"/> Wall Bumper Wheel	4pcs
<input checked="" type="checkbox"/> IV Pole	1pc
<input checked="" type="checkbox"/> IV Pole Prevision	4pcs
<input checked="" type="checkbox"/> Drainage hook	2pcs
<input checked="" type="checkbox"/> Hand Controller	1pc
<input checked="" type="checkbox"/> LCD ACP (attendant control panel)	1pc
<input checked="" type="checkbox"/> Central Locking Pedal	2pcs
<input checked="" type="checkbox"/> Tilt Angle Display	4pcs
<input checked="" type="checkbox"/> Back-up Battery	1pc
<input checked="" type="checkbox"/> Electric CPR	
<input checked="" type="checkbox"/> Manual CPR	



BED5K3



Technical Parameters

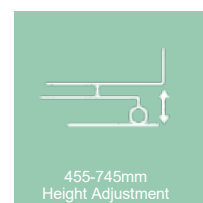
External Length	2190mm
External Width	1020mm
Bed Height Min	455mm
Bed Height Max	745mm
Mattress Platform	1925*900mm
Safe Working Load	250kg

Optional

<input type="checkbox"/> Back-up Battery
<input type="checkbox"/> Bed Extension
<input type="checkbox"/> Nurse Controller
<input type="checkbox"/> Auto-regression Function (Back Section)
<input type="checkbox"/> Night Light
<input type="checkbox"/> Manual CPR
<input type="checkbox"/> Electric CPR
<input type="checkbox"/> X-ray Translucent Mattress Platform (Back Section)
<input type="checkbox"/> Utility Container
<input type="checkbox"/> Monkey Pole

Technical Configuration

<input checked="" type="checkbox"/> Linear Motor	4pcs
<input checked="" type="checkbox"/> 5" Double Side Castors	4pcs
<input checked="" type="checkbox"/> PP Foldable Side Rail	1set
<input checked="" type="checkbox"/> ABS Bed Ends with Safe Lock	1set
<input checked="" type="checkbox"/> Wall Bumper Wheel	4pcs
<input checked="" type="checkbox"/> IV Pole	1pc
<input checked="" type="checkbox"/> IV Pole Prevision	4pcs
<input checked="" type="checkbox"/> Drainage hook	2pcs
<input checked="" type="checkbox"/> Central Locking Pedal	1pc
<input checked="" type="checkbox"/> Front and Back Tilt Angle Display	4pcs



BE56K



Technical Parameters

External Length	2190mm
External Width	1020mm
Bed Height Min	455mm
Bed Height Max	745mm
Mattress Platform	1925*900mm
Safe Working Load	250kg

Optional

<input type="checkbox"/> Back-up Battery
<input type="checkbox"/> Bed Extension
<input type="checkbox"/> Nurse Controller
<input type="checkbox"/> Auto-regression Function (Back Section)
<input type="checkbox"/> Night Light
<input type="checkbox"/> X-ray Translucent Mattress Platform (Back Section)
<input type="checkbox"/> Utility Container
<input type="checkbox"/> Monkey Pole

Technical Configuration

<input checked="" type="checkbox"/> Linear Motor	4 pcs
<input checked="" type="checkbox"/> 5" Double Side Castors, with Safe Lock	4 pcs
<input checked="" type="checkbox"/> PP Foldable Side Rail	1 set
<input checked="" type="checkbox"/> HDPP Bed Ends	1 set
<input checked="" type="checkbox"/> IV Pole	1 pc
<input checked="" type="checkbox"/> IV Pole Prevision	4 pcs
<input checked="" type="checkbox"/> Drainage hook	2 pcs
<input checked="" type="checkbox"/> Central Locking Pedal	2 pcs
<input checked="" type="checkbox"/> Front and Back Tilt Angle Display	4 pcs
<input checked="" type="checkbox"/> Manual CPR	
<input checked="" type="checkbox"/> Electric CPR	



BE58



Technical Parameters

External Length	2120mm
External Width	1045mm
Bed Height Min	470mm
Bed Height Max	678mm
Mattress Platform	1940*900mm
Safe Working Load	250kg

Optional

<input type="checkbox"/> Nurse Controller
<input type="checkbox"/> X-ray Translucent Mattress Platform (Back Section)
<input type="checkbox"/> Monkey Pole

Technical Configuration

<input checked="" type="checkbox"/> Linear Motor	4 pcs
<input checked="" type="checkbox"/> 6" Double Side Castors	4 pcs
<input checked="" type="checkbox"/> PP Foldable Side Rail	2 sets
<input checked="" type="checkbox"/> PP Bed End With Safe Lock	1 set
<input checked="" type="checkbox"/> Central Locking Pedal	2 pcs
<input checked="" type="checkbox"/> IV Pole	1 pc
<input checked="" type="checkbox"/> IV Pole Prevision	4 pcs
<input checked="" type="checkbox"/> Drainage hook	2 pcs
<input checked="" type="checkbox"/> Angle Indicator	4 pcs
<input checked="" type="checkbox"/> Back-up Battery	1 pc
<input checked="" type="checkbox"/> Corner Bumper	4 pcs
<input checked="" type="checkbox"/> Hand Controller	1 pc
<input checked="" type="checkbox"/> Manual CPR	
<input checked="" type="checkbox"/> Electric CPR	

Back-rest 70°±10°

Knee-rest 40°±10°

Reverse Trendelenburg
12°±3°

470-678mm
Height Adjustment

Trendelenburg 12°±3°

BE57



Technical Parameters

External Length	2190mm
External Width	1020mm
Bed Height Min	455mm
Bed Height Max	745mm
Mattress Platform	1925*900mm
Safe Working Load	250kg

Technical Configuration

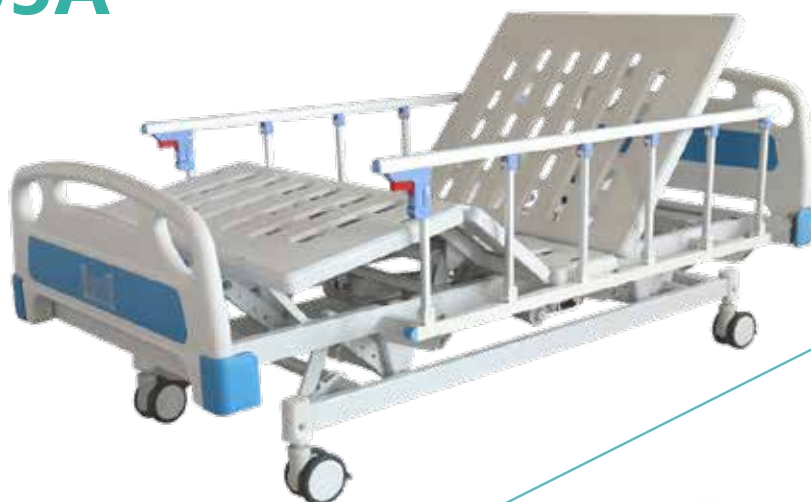
<input checked="" type="checkbox"/> Linear Motor	4pcs
<input checked="" type="checkbox"/> 5"Single Side Castors	4pcs
<input checked="" type="checkbox"/> PP Foldable Side Rail	1set
<input checked="" type="checkbox"/> ABS Bed Ends with Safe Lock	1set
<input checked="" type="checkbox"/> IV Pole	1pc
<input checked="" type="checkbox"/> IV Pole Prevision	4pcs
<input checked="" type="checkbox"/> Drainage hook	2pcs
<input checked="" type="checkbox"/> Front and back tilt angle display	4pcs

Optional

<input type="checkbox"/> Back-up Battery
<input type="checkbox"/> Bed Extension
<input type="checkbox"/> Nurse Controller
<input type="checkbox"/> Auto-regression Function (Back Section)
<input type="checkbox"/> Night Light
<input type="checkbox"/> Monkey Pole
<input type="checkbox"/> Manual CPR
<input type="checkbox"/> Electric CPR



BE55A



BE55B



Technical Parameters

External Length	2085mm
External Width	1020mm
Bed Height Min	455mm
Bed Height Max	745mm
Mattress Platform	1925*900mm
Safe Working Load	250kg

Technical Configuration

<input checked="" type="checkbox"/> Linear Motor	4pcs
<input checked="" type="checkbox"/> 5" Double Side Castors	4pcs
<input checked="" type="checkbox"/> 6 Column Metal Foldable Side Rail	1set
<input checked="" type="checkbox"/> ABS Bed Ends with Safe Lock	1set
<input checked="" type="checkbox"/> IV Pole	1pc
<input checked="" type="checkbox"/> IV Pole Prevision	4pcs
<input checked="" type="checkbox"/> Drainage hook	2pcs

Optional

<input type="checkbox"/> Back-up Battery
<input type="checkbox"/> Bed Extension
<input type="checkbox"/> Nurse Controller
<input type="checkbox"/> Auto-regression Function (Back Section)
<input type="checkbox"/> Night Light
<input type="checkbox"/> Monkey Pole
<input type="checkbox"/> Manual CPR
<input type="checkbox"/> Electric CPR

Back-rest 75°±10°

Knee-rest 35°±10°

Reverse Trendelenburg
12°±3°

455-745mm
Height Adjustment

Trendelenburg 12°±3°

BE53



Technical Parameters

External Length	2190mm
External Width	1020mm
Bed Height Min	455mm
Bed Height Max	745mm
Mattress Platform	1820-2020*820mm
Safe Working Load	250kg

Technical Configuration

<input checked="" type="checkbox"/> Linear Motor	4pcs
<input checked="" type="checkbox"/> 5" Double Side Castors, Central Locking	4pcs
<input checked="" type="checkbox"/> PP Foldable Side Rail	1set
<input checked="" type="checkbox"/> ABS Bed Ends with Safe Lock	1set
<input checked="" type="checkbox"/> IV Pole	1pc
<input checked="" type="checkbox"/> IV Pole Prevision	4pcs
<input checked="" type="checkbox"/> Drainage hook	2pcs
<input checked="" type="checkbox"/> Front and Back Tilt Angle Display	4pcs

Optional

<input type="checkbox"/> Back-up Battery
<input type="checkbox"/> Bed Extension
<input type="checkbox"/> Nurse Controller
<input type="checkbox"/> Auto-regression Function (Back Section)
<input type="checkbox"/> Night Light
<input type="checkbox"/> Monkey Pole
<input type="checkbox"/> Manual CPR
<input type="checkbox"/> Electric CPR



BE54



Technical Parameters

External Length	2190mm
External Width	1020mm
Bed Height Min	500mm
Bed Height Max	950mm
Mattress Platform	1820-2020*820mm
Safe Working Load	250kg

Technical Configuration

<input checked="" type="checkbox"/> Linear Motor	4 pcs
<input checked="" type="checkbox"/> 5" Double Side Castors, Central Locking	4 pcs
<input checked="" type="checkbox"/> PP Foldable Side Rail	1 set
<input checked="" type="checkbox"/> ABS Bed Ends with Safe Lock	1 set
<input checked="" type="checkbox"/> IV Pole	1 pc
<input checked="" type="checkbox"/> IV Pole Prevision	4 pcs
<input checked="" type="checkbox"/> Drainage hook	2 pcs
<input checked="" type="checkbox"/> Central Locking Pedal	1 pcs

Optional

<input type="checkbox"/> Back-up Battery
<input type="checkbox"/> Bed Extension
<input type="checkbox"/> Nurse Controller
<input type="checkbox"/> Auto-regression Function (Back Section)
<input type="checkbox"/> Night Light
<input type="checkbox"/> Monkey Pole
<input type="checkbox"/> Manual CPR
<input type="checkbox"/> Electric CPR



BE50



Technical Parameters

External Length	2190mm
External Width	1020mm
Bed Height Min	455mm
Bed Height Max	745mm
Mattress Platform	1925*900mm
Safe Working Load	250kg

Technical Configuration

<input checked="" type="checkbox"/> Linear Motor	4 pcs
<input checked="" type="checkbox"/> 5" Double Side Castors, Central Locking	4 pcs
<input checked="" type="checkbox"/> PP Foldable Side Rail	1 set
<input checked="" type="checkbox"/> ABS Bed Ends with Safe Lock	1 set
<input checked="" type="checkbox"/> IV Pole	1 pc
<input checked="" type="checkbox"/> IV Pole Prevision	4 pcs
<input checked="" type="checkbox"/> Drainage hook	2 pcs
<input checked="" type="checkbox"/> Front and Back Tilt Angle Display	4 pcs

Optional

<input type="checkbox"/> Back-up Battery
<input type="checkbox"/> Bed Extension
<input type="checkbox"/> Nurse Controller
<input type="checkbox"/> Auto-regression Function (Back Section)
<input type="checkbox"/> Night Light
<input type="checkbox"/> Monkey Pole
<input type="checkbox"/> Manual CPR
<input type="checkbox"/> Electric CPR



BE50B



Technical Parameters

External Length	2190mm
External Width	1020mm
Bed Height Min	455mm
Bed Height Max	745mm
Mattress Platform	1925*900mm
Safe Working Load	250kg

Technical Configuration

<input checked="" type="checkbox"/> Linear Motor	4pcs
<input checked="" type="checkbox"/> 5"Double Side Castors,Central Locking	4pcs
<input checked="" type="checkbox"/> PP Foldable Side Rail	1set
<input checked="" type="checkbox"/> ABS Bed Ends with Safe Lock	1set
<input checked="" type="checkbox"/> IV Pole	1pc
<input checked="" type="checkbox"/> IV Pole Prevision	4pcs
<input checked="" type="checkbox"/> Drainage hook	1pc
<input checked="" type="checkbox"/> Front and Back Tilt Angle Display	4pcs

Optional

<input type="checkbox"/> Back-up Battery
<input type="checkbox"/> Bed Extension
<input type="checkbox"/> Nurse Controller
<input type="checkbox"/> Auto-regression Function (Back Section)
<input type="checkbox"/> Night Light
<input type="checkbox"/> Monkey Pole
<input type="checkbox"/> Manual CPR
<input type="checkbox"/> Electric CPR

Back-rest 75°±10°

Knee-rest 35°±10°

Reverse Trendelenburg
12°±3°

455-745mm
Height Adjustment

Trendelenburg 12°±3°

BE58B



Technical Parameters

External Length	2190mm
External Width	1020mm
Bed Height Min	455mm
Bed Height Max	745mm
Mattress Platform	1925*900mm
Safe Working Load	250kg

Optional

<input type="checkbox"/> Back-up Battery
<input type="checkbox"/> Bed Extension
<input type="checkbox"/> Nurse Controller
<input type="checkbox"/> Auto-regression Function (Back Section)
<input type="checkbox"/> Night Light
<input type="checkbox"/> Monkey Pole

Technical Configuration

<input checked="" type="checkbox"/> Linear Motor	4 pcs
<input checked="" type="checkbox"/> 5" Double Side Castors	4 pcs
<input checked="" type="checkbox"/> Central Locking pedal	2 pcs
<input checked="" type="checkbox"/> PP Foldable Side Rail	1 set
<input checked="" type="checkbox"/> ABS Bed Ends with Safe Lock	1 set
<input checked="" type="checkbox"/> IV Pole	1 pc
<input checked="" type="checkbox"/> IV Pole Prevision	4 pcs
<input checked="" type="checkbox"/> Drainage hook	2 pcs
<input checked="" type="checkbox"/> Front and Back Tilt Angle Display	4 pcs
<input checked="" type="checkbox"/> Bumper Wheel	4 pcs
<input checked="" type="checkbox"/> Manual CPR	
<input checked="" type="checkbox"/> Electric CPR	



BE59



Technical Parameters

External Length	2120mm
External Width	1045mm
Bed Height Min	470mm
Bed Height Max	678mm
Mattress Platform	1940*900mm
Safe Working Load	250kg

Technical Configuration

<input checked="" type="checkbox"/> Linear Motor	4 pcs
<input checked="" type="checkbox"/> 6"Double Side Castors	4 pcs
<input checked="" type="checkbox"/> PP Foldable Side Rail	2 sets
<input checked="" type="checkbox"/> PP Bed End With Safe Lock	1 set
<input checked="" type="checkbox"/> Central Locking Pedal	2 pcs
<input checked="" type="checkbox"/> IV Pole	1 pc
<input checked="" type="checkbox"/> IV Pole Prevision	4 pcs
<input checked="" type="checkbox"/> Drainage hook	2 pcs
<input checked="" type="checkbox"/> Angle Indicator	4 pcs
<input checked="" type="checkbox"/> Back-up Battery	1 pc
<input checked="" type="checkbox"/> Corner Bumper	4 pcs
<input checked="" type="checkbox"/> Hand Controller	1 pc
<input checked="" type="checkbox"/> Manual CPR	
<input checked="" type="checkbox"/> Electric CPR	

Optional

<input type="checkbox"/> Nurse Controller
<input type="checkbox"/> X-ray Translucent Mattress Platform (Back Section)
<input type="checkbox"/> Monkey Pole



BE5M4



Technical Parameters

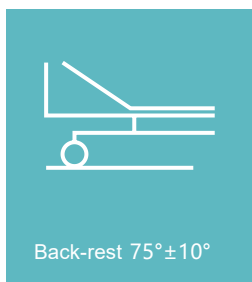
External Length	2200mm
External Width	1060mm
Bed Height Min	500mm
Bed Height Max	800mm
Mattress Platform	1940*900mm
Safe Working Load	250kg

Optional

<input type="checkbox"/> Back-up Battery
<input type="checkbox"/> Bed Extension
<input type="checkbox"/> Nurse Controller
<input type="checkbox"/> Night Light
<input type="checkbox"/> Monkey Pole

Technical Configuration

<input checked="" type="checkbox"/> Linear Motor	4 pcs
<input checked="" type="checkbox"/> 150mm Castor	4 pcs
<input checked="" type="checkbox"/> Central Locking Pedal	1 pc
<input checked="" type="checkbox"/> PP Foldable Side Rail	1 set
<input checked="" type="checkbox"/> IV Pole	1 pc
<input checked="" type="checkbox"/> IV Pole Prevision	6 pcs
<input checked="" type="checkbox"/> Drainage hook	2 pcs
<input checked="" type="checkbox"/> Angle Indicator	4 pcs
<input checked="" type="checkbox"/> Manual CPR	



BE32D



Technical Parameters

External Length	2190mm
External Width	1020mm
Bed Height Min	455mm
Bed Height Max	750mm
Mattress Platform	1925*900mm
Safe Working Load	250kg

Optional

<input type="checkbox"/> Back-up Battery
<input type="checkbox"/> Bed Extension
<input type="checkbox"/> Nurse Controller
<input type="checkbox"/> Night Light
<input type="checkbox"/> Monkey Pole

Technical Configuration

<input checked="" type="checkbox"/> Linear Motor	3 pcs
<input checked="" type="checkbox"/> 150mm Castor	4 pcs
<input checked="" type="checkbox"/> Central Locking Pedal	1 pc
<input checked="" type="checkbox"/> PP Foldable Side Rail	1 set
<input checked="" type="checkbox"/> IV Pole	1 pc
<input checked="" type="checkbox"/> IV Pole Prevision	4 pcs
<input checked="" type="checkbox"/> Drainage hook	2 pcs
<input checked="" type="checkbox"/> Angle Indicator	4 pcs
<input checked="" type="checkbox"/> Bumper Wheel	4 pcs



BE5M3



Technical Parameters

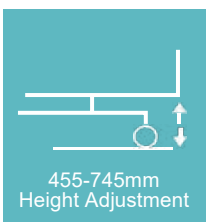
External Length	2190mm
External Width	1020mm
Bed Height Min	455mm
Bed Height Max	745mm
Mattress Platform	1925*900mm
Safe Working Load	250kg

Technical Configuration

<input checked="" type="checkbox"/> Linear Motor	3pcs
<input checked="" type="checkbox"/> 5" Double Side Castors, Central Locking	4pcs
<input checked="" type="checkbox"/> PP Foldable Side Rail	1set
<input checked="" type="checkbox"/> ABS Bed Ends with Safe Lock	1set
<input checked="" type="checkbox"/> Central Locking Pedal	1pc
<input checked="" type="checkbox"/> IV Pole	1pc
<input checked="" type="checkbox"/> IV Pole Prevision	4pcs
<input checked="" type="checkbox"/> Drainage hook	2pcs
<input checked="" type="checkbox"/> Front and back tilt angle display	4pcs

Optional

<input type="checkbox"/> Back-up Battery
<input type="checkbox"/> Bed Extension
<input type="checkbox"/> Nurse Controller
<input type="checkbox"/> Auto-regression Function (Back Section)
<input type="checkbox"/> Night Light
<input type="checkbox"/> Monkey Pole
<input type="checkbox"/> Manual CPR
<input type="checkbox"/> Electric CPR



BE32B



Technical Parameters

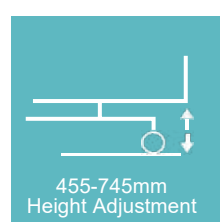
External Length	2190mm
External Width	1020mm
Bed Height Min	455mm
Bed Height Max	745mm
Mattress Platform	1925*900mm
Safe Working Load	250kg

Technical Configuration

<input checked="" type="checkbox"/> Linear Motor	3pcs
<input checked="" type="checkbox"/> 5" Single Side Castors	4pcs
<input checked="" type="checkbox"/> PP Foldable Side Rail	1set
<input checked="" type="checkbox"/> ABS Bed Ends with Safe Lock	1set
<input checked="" type="checkbox"/> IV Pole	1pc
<input checked="" type="checkbox"/> IV Pole Prevision	4pcs
<input checked="" type="checkbox"/> Drainage hook	2pcs
<input checked="" type="checkbox"/> Front and back tilt angle display	4pcs

Optional

<input type="checkbox"/> Back-up Battery
<input type="checkbox"/> Bed Extension
<input type="checkbox"/> Nurse Controller
<input type="checkbox"/> Auto-regression Function (Back Section)
<input type="checkbox"/> Night Light
<input type="checkbox"/> Monkey Pole
<input type="checkbox"/> Manual CPR
<input type="checkbox"/> Electric CPR



BE32C



Technical Parameters

External Length	2190mm
External Width	1020mm
Bed Height Min	455mm
Bed Height Max	745mm
Mattress Platform	1925*900mm
Safe Working Load	250kg

Optional

<input type="checkbox"/> Back-up Battery
<input type="checkbox"/> Bed Extension
<input type="checkbox"/> Nurse Controller
<input type="checkbox"/> Auto-regression Function (Back Section)
<input type="checkbox"/> Night Light
<input type="checkbox"/> Monkey Pole
<input type="checkbox"/> Manual CPR
<input type="checkbox"/> Electric CPR

Technical Configuration

<input checked="" type="checkbox"/> Linear Motor	3pcs
<input checked="" type="checkbox"/> 5" Double-Side Caster	4pcs
<input checked="" type="checkbox"/> PP Foldable Side Rail	1set
<input checked="" type="checkbox"/> ABS Bed Ends with Safe Lock	1set
<input checked="" type="checkbox"/> Central Locking Pedal	1pc
<input checked="" type="checkbox"/> IV Pole	1pc
<input checked="" type="checkbox"/> IV Pole Prevision	4pcs
<input checked="" type="checkbox"/> Drainage hook	2pcs
<input checked="" type="checkbox"/> Front and back tilt angle display	4pcs
<input checked="" type="checkbox"/> Hand Controller	1pc
<input checked="" type="checkbox"/> Angle Indicator	4pcs



BE32



Technical Parameters

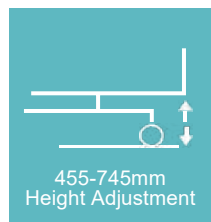
External Length	2190mm
External Width	1020mm
Bed Height Min	455mm
Bed Height Max	745mm
Mattress Platform	1925*900mm
Safe Working Load	250kg

Technical Configuration

<input checked="" type="checkbox"/> Linear Motor	3pcs
<input checked="" type="checkbox"/> 5"Double Side Castors with Central Locking	4pcs
<input checked="" type="checkbox"/> PP Foldable Side Rail	1set
<input checked="" type="checkbox"/> ABS Bed Ends with Safe Lock	1set
<input checked="" type="checkbox"/> IV Pole	1pc
<input checked="" type="checkbox"/> IV Pole Prevision	4pcs
<input checked="" type="checkbox"/> Drainage hook	2pcs
<input checked="" type="checkbox"/> Front and Back Tilt Angle Display	4pcs

Optional

<input type="checkbox"/> Back-up Battery
<input type="checkbox"/> Bed Extension
<input type="checkbox"/> Nurse Controller
<input type="checkbox"/> Auto-regression Function (Back Section)
<input type="checkbox"/> Night Light
<input type="checkbox"/> Monkey Pole
<input type="checkbox"/> Manual CPR
<input type="checkbox"/> Electric CPR



BE31



Technical Parameters

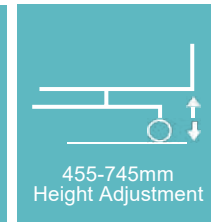
External Length	2085mm
External Width	1020mm
Bed Height Min	455mm
Bed Height Max	745mm
Mattress Platform	1925*900mm
Safe Working Load	250kg

Technical Configuration

<input checked="" type="checkbox"/> Linear Motor	3pcs
<input checked="" type="checkbox"/> 5"Double Side Castors	4pcs
<input checked="" type="checkbox"/> 6 Column Metal Foldable Side Rail	1set
<input checked="" type="checkbox"/> ABS Bed Ends with Safe Lock	1set
<input checked="" type="checkbox"/> IV Pole	1pc
<input checked="" type="checkbox"/> IV Pole Prevision	4pcs
<input checked="" type="checkbox"/> Drainage hook	2pcs

Optional

<input type="checkbox"/> Back-up Battery
<input type="checkbox"/> Bed Extension
<input type="checkbox"/> Nurse Controller
<input type="checkbox"/> Auto-regression Function (Back Section)
<input type="checkbox"/> Night Light
<input type="checkbox"/> Monkey Pole
<input type="checkbox"/> Manual CPR
<input type="checkbox"/> Electric CPR



BE30

BE22



Technical Parameters

External Length	2190mm
External Width	1020mm
Bed Height Min	455mm
Bed Height Max	745mm
Mattress Platform	1925*900mm
Safe Working Load	250kg

Technical Configuration

<input checked="" type="checkbox"/> Linear Motor	3pcs
<input checked="" type="checkbox"/> 5" Double Side Castors	4pcs
<input checked="" type="checkbox"/> PP Foldable Side Rail	1set
<input checked="" type="checkbox"/> ABS Bed Ends with Safe Lock	1set
<input checked="" type="checkbox"/> IV Pole	1pc
<input checked="" type="checkbox"/> IV Pole Prevision	4pcs
<input checked="" type="checkbox"/> Drainage hook	2pcs
<input checked="" type="checkbox"/> Front and Back Tilt Angle Display	4pcs

Optional

<input type="checkbox"/> Back-up Battery
<input type="checkbox"/> Bed Extension
<input type="checkbox"/> Nurse Controller
<input type="checkbox"/> Auto-regression Function (Back Section)
<input type="checkbox"/> Night Light
<input type="checkbox"/> Monkey Pole
<input type="checkbox"/> Manual CPR
<input type="checkbox"/> Electric CPR

Back-rest 75°±10°

Knee-rest 35°±10°

455-745mm
Height Adjustment

Technical Parameters

External Length	2085mm
External Width	1020mm
Bed Height	480mm
Mattress Platform	1925*900mm
Safe Working Load	250kg

Technical Configuration

<input checked="" type="checkbox"/> Linear Motor	2pcs
<input checked="" type="checkbox"/> 5" Double Side Castors	4pcs
<input checked="" type="checkbox"/> 6 Column Metal Foldable Side Rail	1set
<input checked="" type="checkbox"/> ABS Bed Ends with Safe Lock	1set
<input checked="" type="checkbox"/> IV Pole	1pc
<input checked="" type="checkbox"/> IV Pole Prevision	4pcs
<input checked="" type="checkbox"/> Drainage hook	2pcs

Optional

<input type="checkbox"/> Back-up Battery
<input type="checkbox"/> Bed Extension
<input type="checkbox"/> Nurse Controller
<input type="checkbox"/> Auto-regression Function (Back Section)
<input type="checkbox"/> Night Light
<input type="checkbox"/> Monkey Pole
<input type="checkbox"/> Manual CPR
<input type="checkbox"/> Electric CPR

Back-rest 75°±10°

Knee-rest 35°±10°

Manual Multifunction Hospital Bed

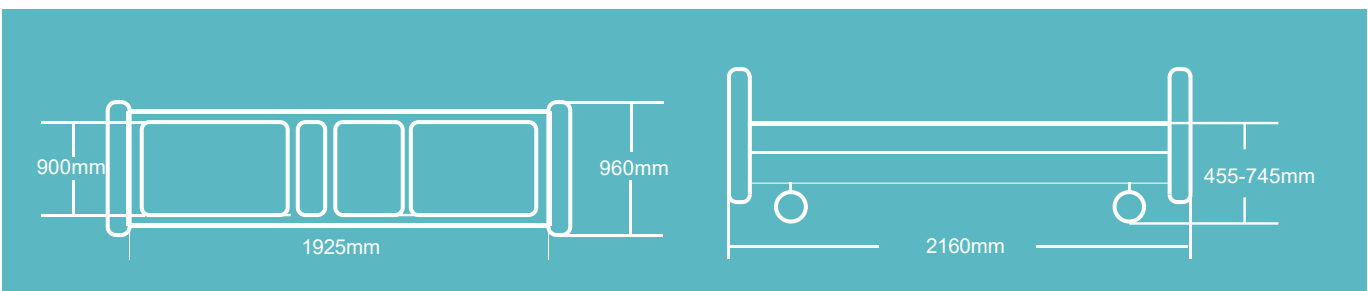


BM50



Technical Configuration

ABS Manual Cranks	4pcs
5"Double Side Castors,Central Locking	4pcs
ABS Bed Ends with Safe Lock	1set
PP Foldable Side Rail	1set
IV Pole	1pc
IV Pole Prevision	4pcs
Drainage hook	2pcs
Central Locking Pedal	2pcs

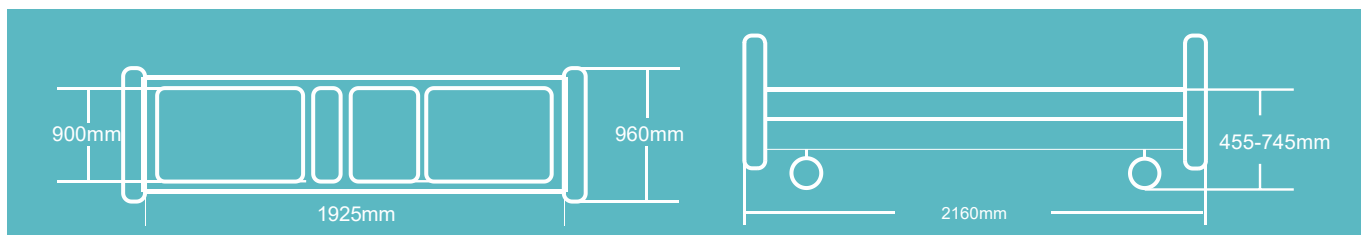
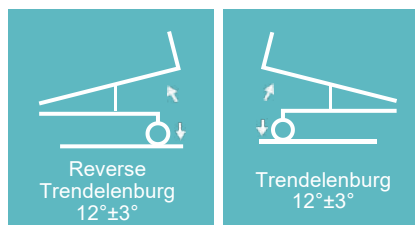


BM50B



Technical Configuration

ABS Manual Cranks	4pcs
5"Single Side Castors	4pcs
ABS Bed Ends with Safe Lock	1set
PP Foldable Side Rail	1set
IV Pole	1pc
IV Pole Prevision	4pcs
Drainage hook	2pcs



BMT32



Technical Configuration

Metal Manual Cranks	3pcs
5"Double Side Castors	4pcs
Eco-friendly Head and Foot Board	1set
Metal Side Rail	1set
IV Pole	1pc
IV Pole Prevision	4pcs
Drainage hook	2pcs



BM32

BM34

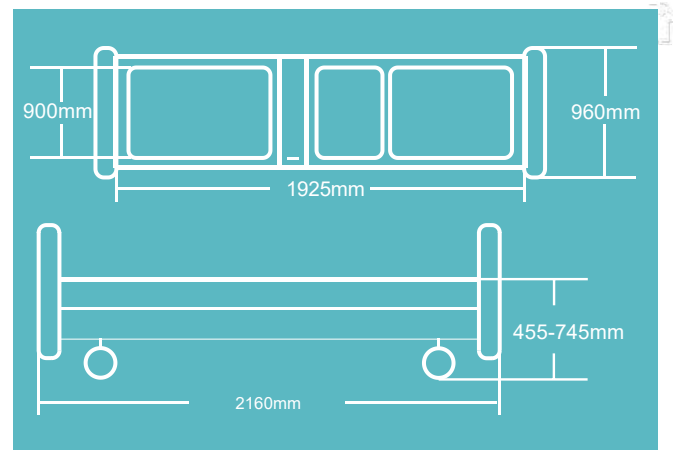
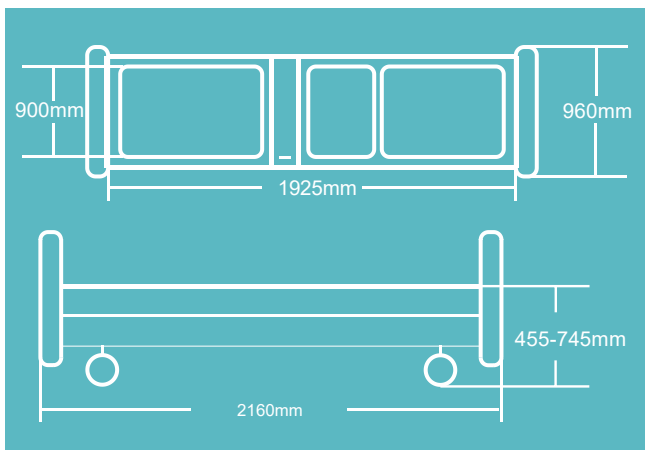


Technical Configuration

ABS Manual Cranks	3pcs
5"Single Side Castor	4pcs
ABS Bed Ends with Safe Lock	1set
6 Column Metal Foldable Side Rail	1set
IV Pole	1pc
IV Pole Prevision	4pcs
Drainage hook	2pcs

Technical Configuration

ABS Manual Cranks	3pcs
5"Single Side Castors	4pcs
ABS Bed Ends with Safe Lock	1set
6 Column Metal Foldable Side Rail	1set
IV Pole	1pc
V Pole Prevision	4pcs
Drainage hook	2pcs



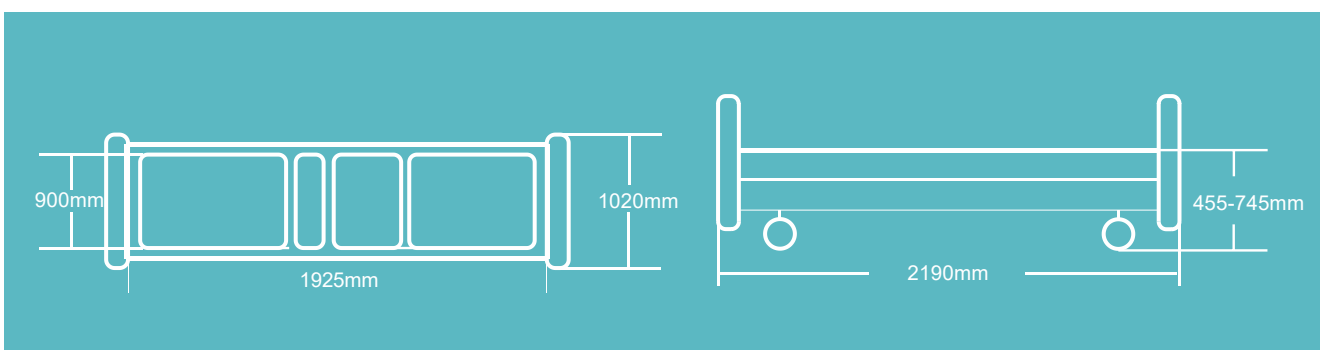
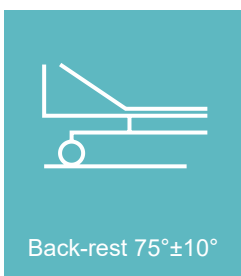
BM51



Technical Configuration

Metal Manual Cranks	4pcs
5"Single Side Castors	4 pcs
ABS Bed Ends with Safe Lock	1set
6 Column Metal Foldable Side Rail	1set

IV Pole	1pc
IV Pole Prevision	4 pcs
Drainage hook	2pcs



BM31S



Technical Configuration

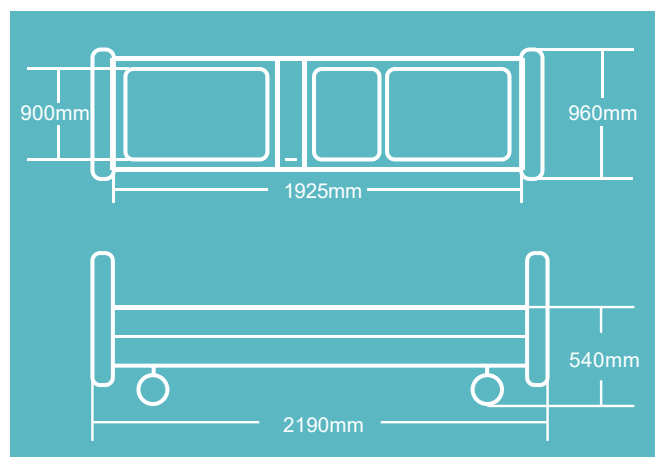
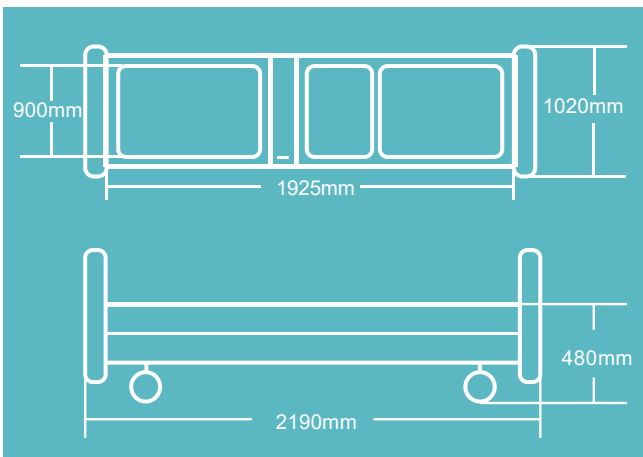
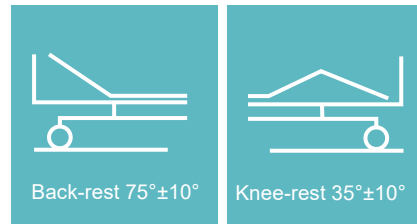
ABS Manual Cranks	3pcs
5" Castors	4pcs
ABS Bed Ends with Safe Lock	1set
6 Column Metal Foldable Side Rail	1set
IV Pole	1pc
IV Pole Prevision	4pcs
Drainage hook	2pcs

BMW2S4



Technical Configuration

ABS Manual Cranks	2pcs
5" Castors	4 pcs
ABS Bed Ends with Safe Lock	1set
6 Column Metal Foldable Side Rail	1set
IV Pole	1pc
IV Pole Prevision	4 pcs
Drainage hook	2pcs



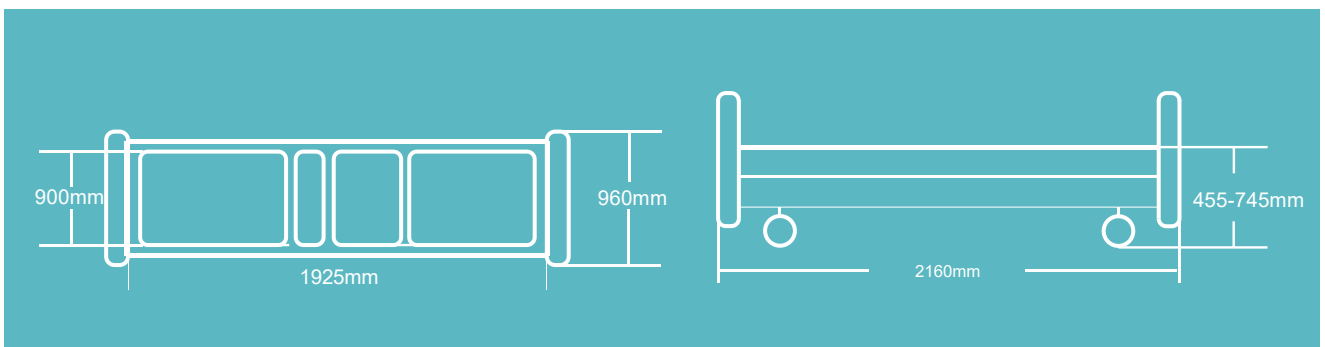
BM31



Technical Configuration

ABS Manual Cranks	3pcs
5"Single Side Castors	4pcs
ABS Bed Ends with Safe Lock	1set
6 Column Metal Foldable Side Rail	1set

IV Pole	1pc
IV Pole Prevision	4pcs
Drainage hook	2pcs

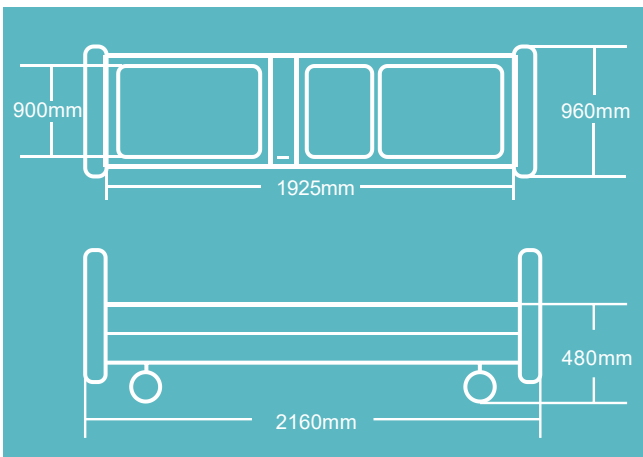
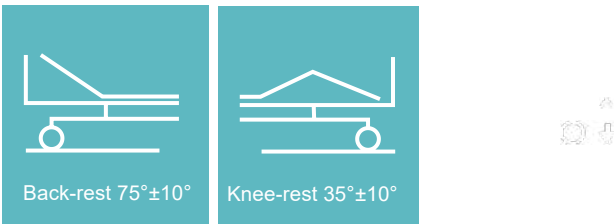


BM20



Technical Configuration

ABS Manual Cranks	2pcs
5"Double Side Castors	4pcs
ABS Bed Ends with Safe Lock	1set
6 Column Metal Foldable Side Rail	1set
IV Pole	1pc
IV Pole Prevision	4pcs
Drainage hook	2pcs
Shoes Holder(Optional)	1set

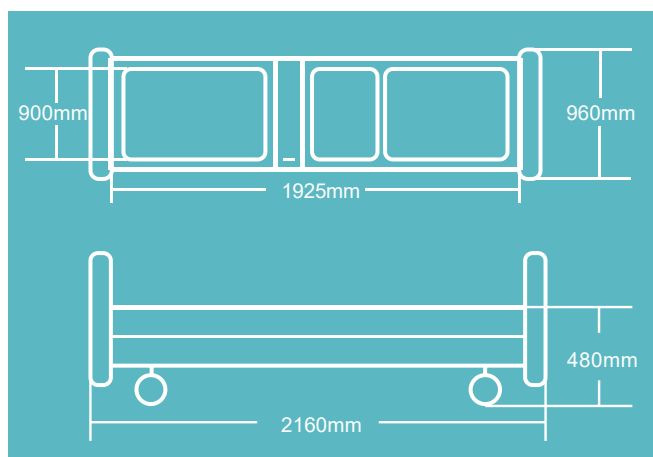
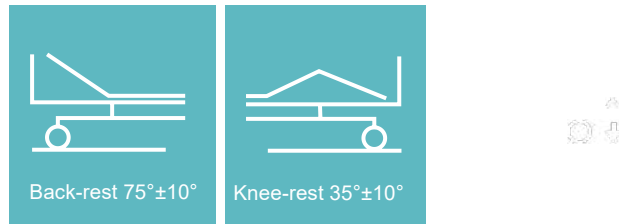


BMW2S1



Technical Configuration

ABS Manual Cranks	2pcs
5"Single Side Castors	4 pcs
ABS Bed Ends with Safe Lock	1set
6 Column Metal Foldable Side Rail	1set
IV Pole	1pc
IV Pole Prevision	4 pcs
Drainage hook	2pcs
Folding dining table	1pc



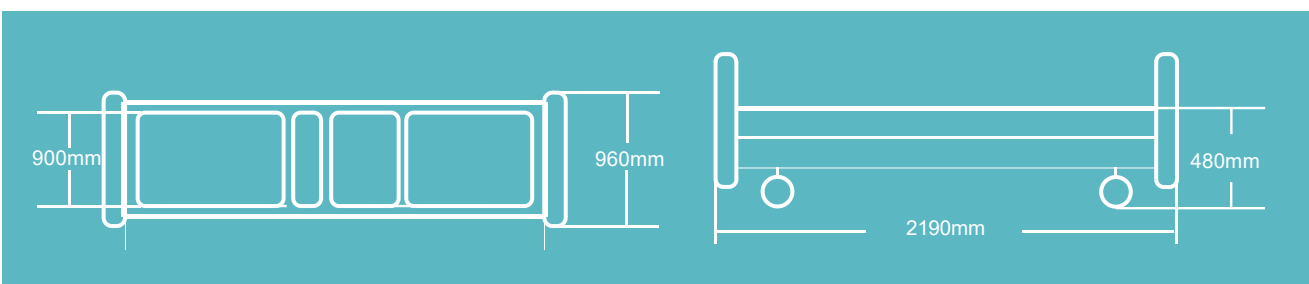
BMW2S3



Technical Configuration

ABS Manual Crank	2pcs
5" Double-Side Caster	4pcs
ABS Bed End with Safe Lock	1set
PP Side Rail	4pcs
Central Locking Pedal	1pc

IV Pole	1pc
IV Pole Prevision	6pcs
Drainage hook	2pcs
Bumper Wheel	4pcs
Utility Shelf	1pc

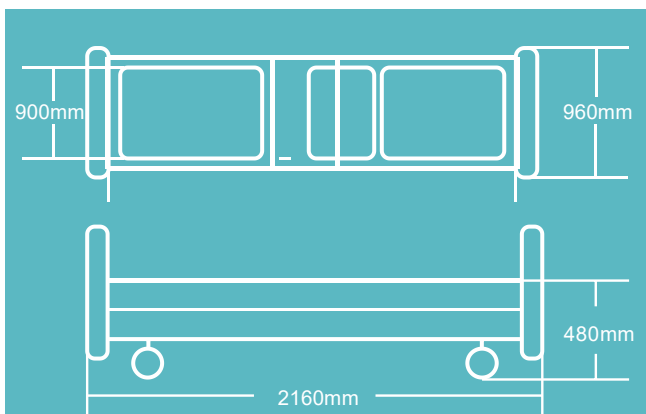


BM23Z



Technical Configuration

ABS Manual Cranks	2pcs
5"Double Side Castors	4pcs
Central Locking Pedal	1pc
ABS Bed End with Safe Lock	1set
L Type Metal Foldable Side Rail	1set
IV Pole	1pc
IV Pole Prevision	6pcs
Bumper Wheel	4pcs
Foldable Overbed Table	1pc
Drainage hook	2pcs

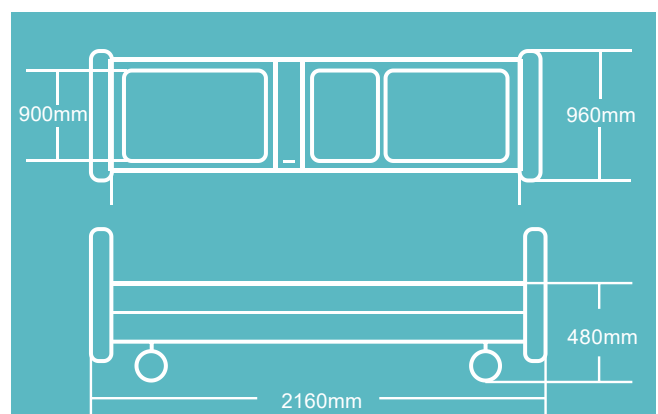
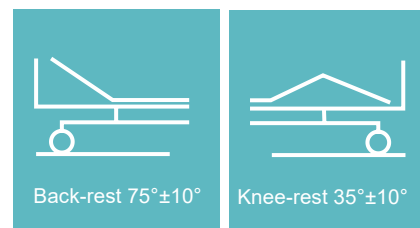


BMW2S2



Technical Configuration

ABS Manual Cranks	2pcs
5"Double Side Castors	4pcs
PP Side Rail	4pcs
ABS Bed End with Safe Lock	1set
IV Pole	1pc
IV Pole Prevision	6pcs
Drainage hook	2pcs
Bumper Wheel	4pcs
Utility Shelf	1pc

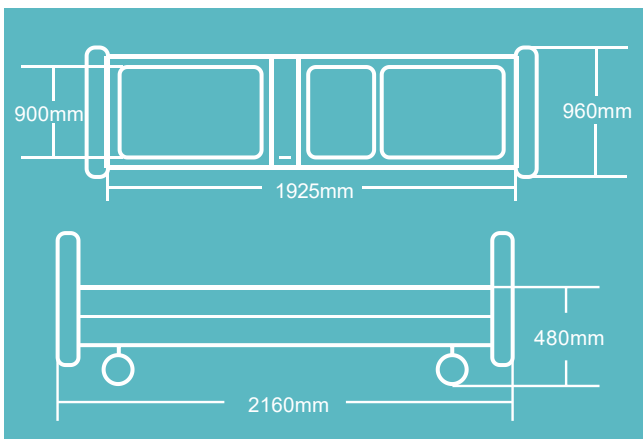


BM21B



Technical Configuration

Metal Manual Cranks	2pcs
5"Single Side Castors	4 pcs
ABS Bed Ends with Safe Lock	1set
5 Column Metal Foldable Side Rail	1set
IV Pole	1pc
IV Pole Prevision	4 pcs
Drainage hook	2pcs
Monkey pole	1pc

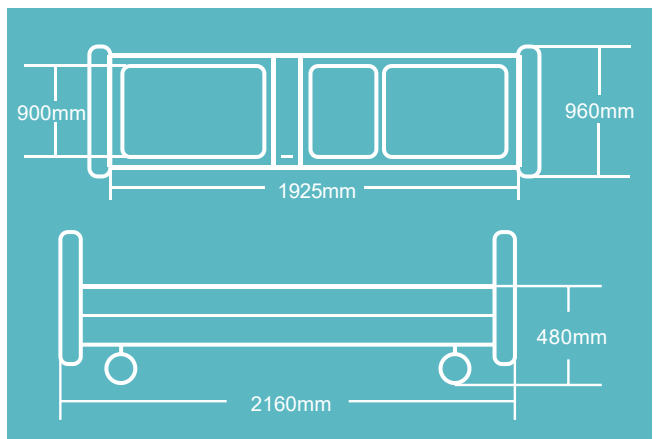


BM20A



Technical Configuration

Metal Manual Cranks	2pcs
5"Single Side Castors	4 pcs
ABS Bed Ends with Safe Lock	1set
6 Column "L" Type Metal Foldable Side Rail	1set
IV Pole	1pc
IV Pole Prevision	4 pcs
Drainage hook	2pcs



BM23



BM23A

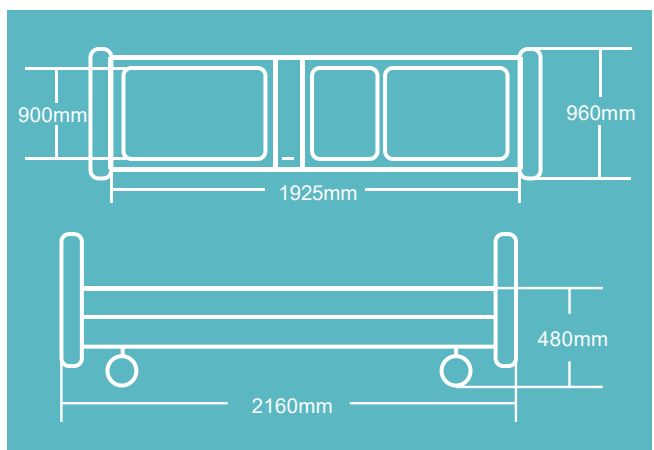
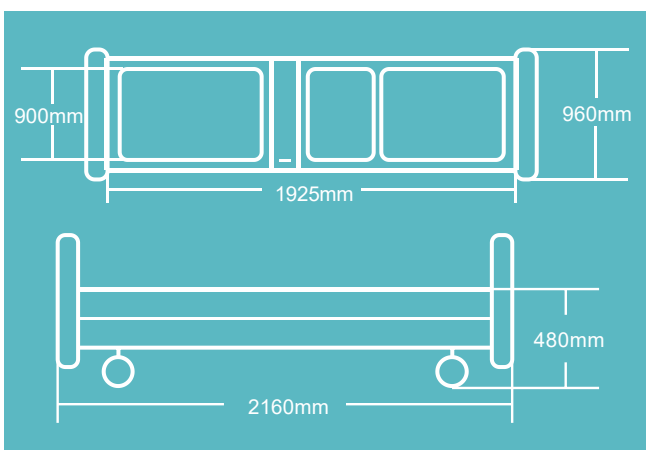


Technical Configuration

Metal Manual Cranks	2pcs
5"Single Side Castors	4 pcs
Composite Material Bed Ends	1set
5 Column Metal Foldable Side Rail	1set
IV Pole	1pc
IV Pole Prevision	4 pcs
Drainage hook	2pcs

Technical Configuration

Metal Manual Cranks	2pcs
5"Single Side Castors	4 pcs
Composite Material Bed Ends	1set
6 Column "L" Type Metal Foldable Side Rail	1set
IV Pole	1pc
IV Pole Prevision	4 pcs
Drainage hook	2pcs

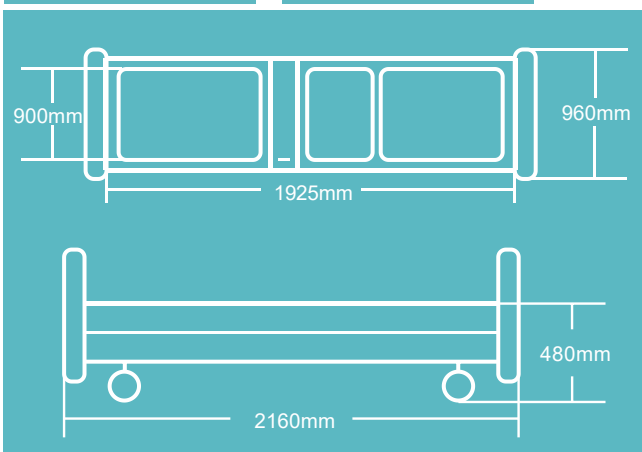


BM23B



Technical Configuration

Metal Manual Cranks	2pcs
5"Single Side Castors	4pcs
ABS Bed Ends with Safe Lock	1set
6 Column "L" Type Metal Foldable Side Rail	1set
IV Pole	1PC
IV Pole Prevision	4pcs
Drainage hook	2pcs

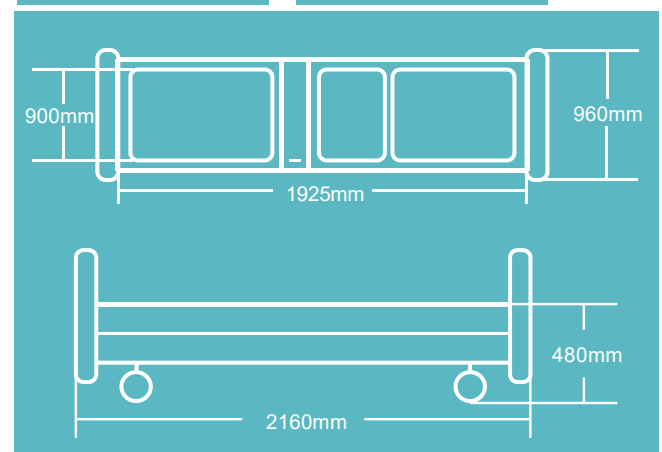


BM24



Technical Configuration

ABS Manual Cranks	2pcs
5"Single Side Castors	4pcs
ABS Bed Ends with Safe Lock	1set
6 Column Metal Foldable Side Rail	1set
IV Pole	1pc
IV Pole Prevision	4pcs
Drainage hook	2pcs



BM25



Technical Configuration

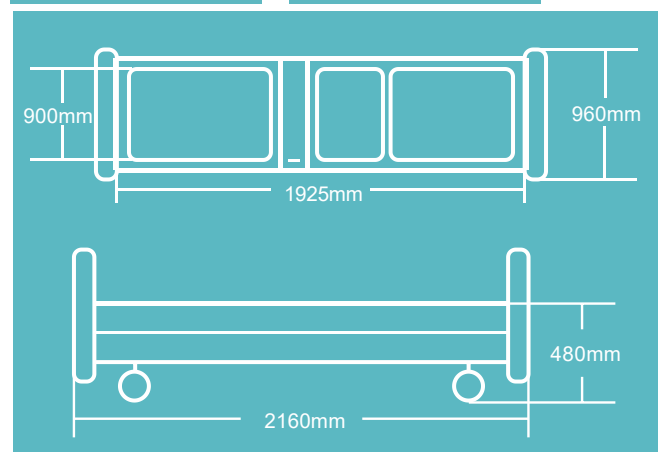
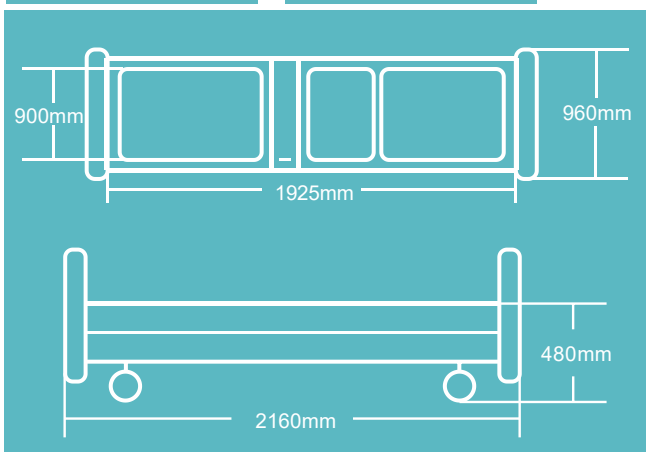
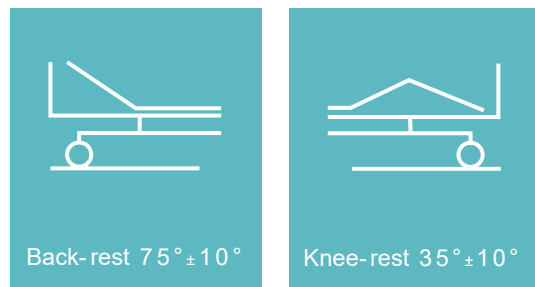
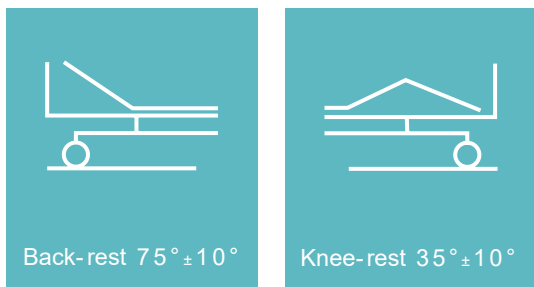
ABS Manual Cranks	2pcs
5"Single Side Castors	4pcs
ABS Bed Ends with Safe Lock	1set
6 Column Metal Foldable Side Rail	1set
IV Pole	1pc
IV Pole Prevision	4pcs
Drainage hook	2pcs

BM26



Technical Configuration

Metal Manual Cranks	2pcs
5"Single Side Castors	4pcs
ABS Bed Ends with Safe Lock	1set
6 Column Metal Foldable Side Rail	1set
IV Pole	1pc
IV Pole Prevision	4pcs
Drainage hook	2pcs

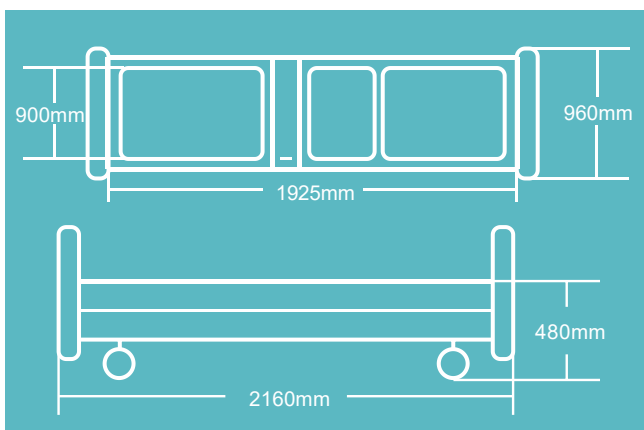


BM11



Technical Configuration

Metal Manual Crank	1pc
ABS Bed Ends with Safe Lock	1set
5 Column Metal Foldable Side Rail	1set
IV Pole	1pc
IV Pole Prevision	4pcs
Drainage hook	2pcs

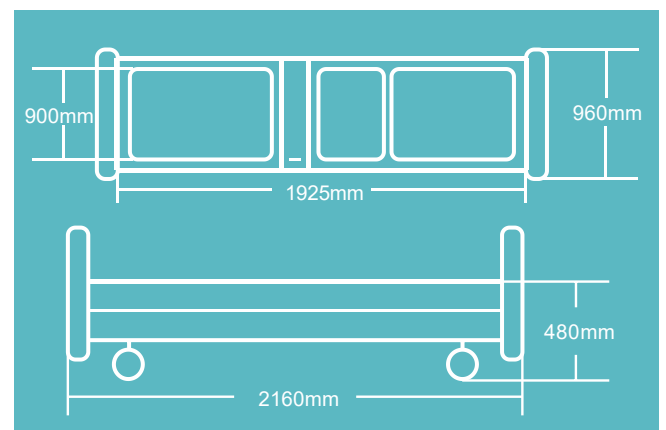


BM11A



Technical Configuration

Metal Manual Crank	1pc
ABS Bed Ends with Safe Lock	1set
5 Column Metal Foldable Side Rail	1set
IV Pole	1pc
IV Pole Prevision	4pcs
Drainage hook	2pcs
5" Single Side Castors	4pcs

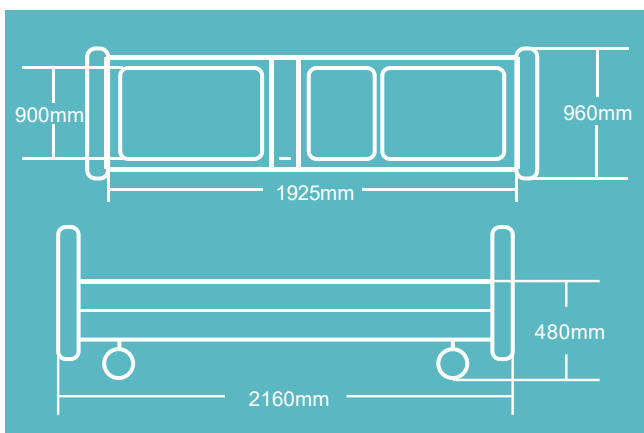


BM21



Technical Configuration

Metal Manual Cranks	2pcs
ABS Bed Ends with Safe Lock	1set
5 Column Metal Foldable Side Rail	1set
IV Pole	1pc
IV Pole Prevision	4pcs
Drainage hook	2pcs

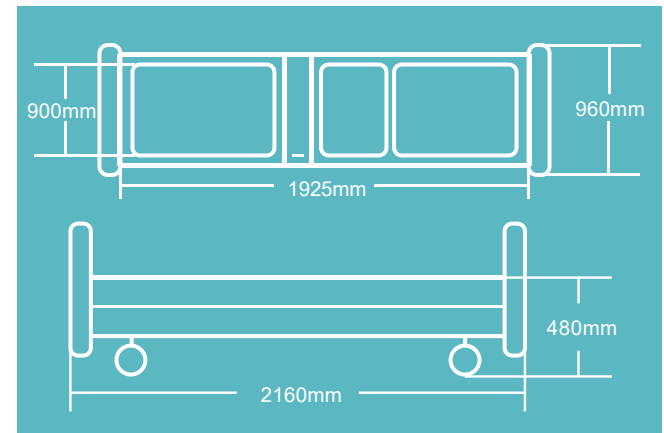


BM21A



Technical Configuration

Metal Manual Cranks	2pcs
5"Single Side Castors	4pcs
ABS Bed Ends with Safe Lock	1set
5 Column Metal Foldable Side Rail	1set
IV Pole	1pc
IV Pole Prevision	4pcs
Drainage hook	2pcs

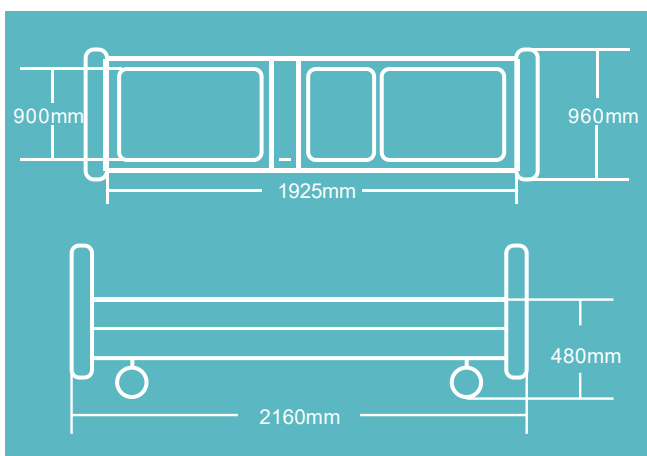


BM10



Technical Configuration

ABS Manual Crank	1pc
5"Single Side Castors	4pcs
ABS Bed Ends with Safe Lock	1set
6 Column Metal Foldable Side Rail	1set
IV Pole	1pc
IV Pole Prevision	4pcs
Drainage hook	2pcs

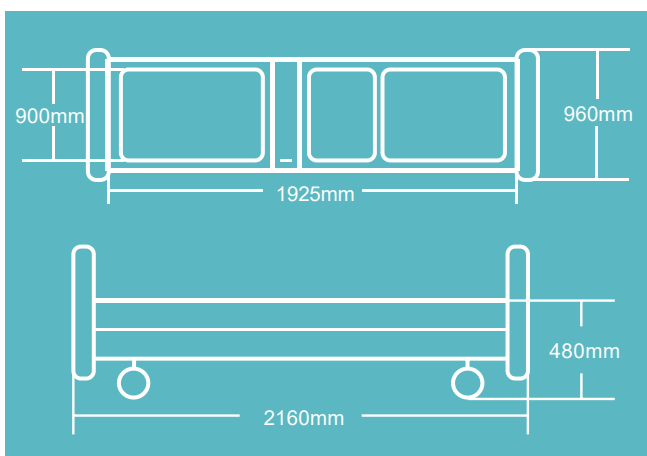


BM11D



Technical Configuration

Metal Manual Crank	1pc
5"Single Side Castors	4pcs
ABS Bed Ends with Safe Lock	1set
5 Column Metal Foldable Side Rail	1set
IV Pole	1pc
IV Pole Prevision	4pcs
Drainage hook	2pcs



BM11C



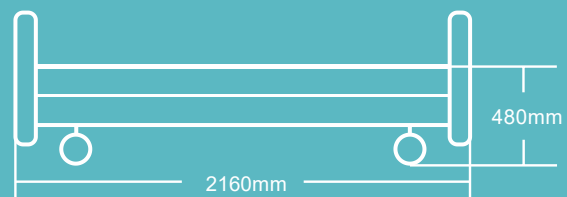
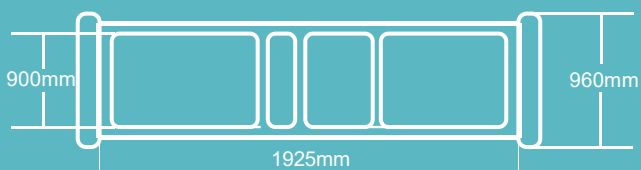
Technical Configuration

Metal Manual Crank	1pc
5"Single Side Castors	4pcs
ABS Bed Ends with Safe Lock	1set
5 Column Metal Foldable Side Rail	1set

IV Pole Prevision	4pcs
Drainage hook	2pcs
IV Pole	1pc



Back-rest $75^{\circ} \pm 10^{\circ}$



BHE04

Electric homecare bed



BHE05

Electric homecare bed

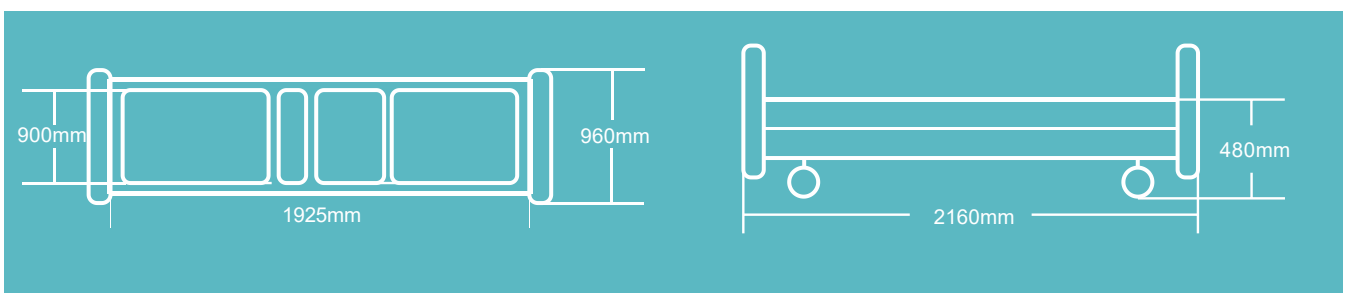
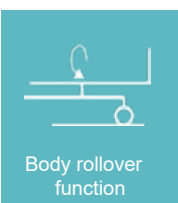
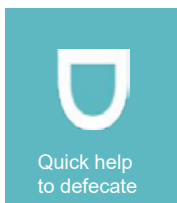


Technical Configuration

Linear Motor	4pcs
Wood H / F Bed Ends with Safe Lock	1set
4 Column Metal Foldable Side Rail	1set
5"Single Side Castors	4pcs
Drainage hook	2pcs
IV Pole	1pc
IV Pole Prevision	4pcs

Technical Configuration

Linear Motor	4pcs
Wood H / F Bed Ends with Safe Lock	1set
4 Column Metal Foldable Side Rail	1set
5"Single Side Castors	4pcs
Drainage hook	2pcs
IV Pole	1pc
IV Pole Prevision	4pcs



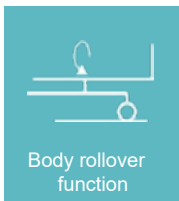
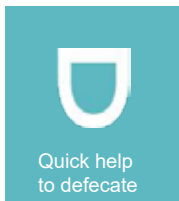
BHE02

Electric homecare bed



Technical Configuration

Linear Motor	4 pcs
Wood H / F Bed Ends with Safe Lock	1set
4 Column Metal Foldable Side Rail	1set
5 " Double side castors	4pcs
Drainage hook	1pc
IV Pole	1 pc
IV Pole Prevision	4pcs
ABS Manual Crank	1pc



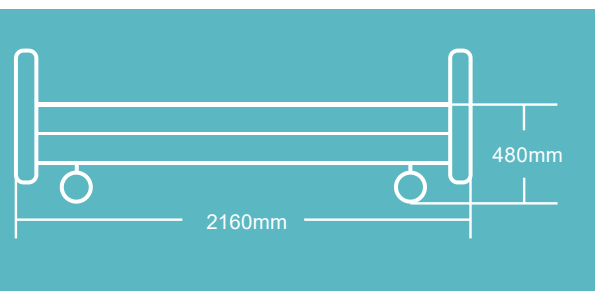
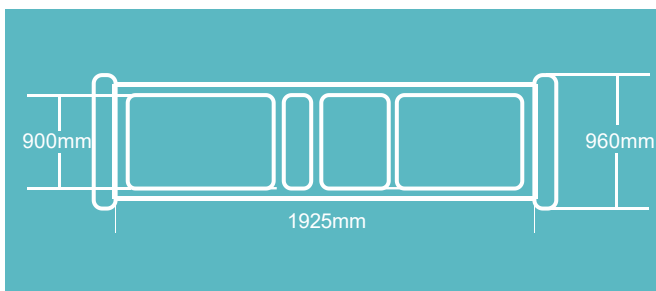
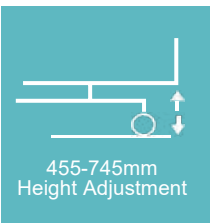
BHE03

Electric homecare bed



Technical Configuration

Linear Motor	3pcs
Wood Bed Ends with Safe Lock	1set
6 Column Metal Foldable Side Rail	1set
5 " Double side castors	4pcs
Drainage hook	1pc
IV Pole	1 pc
IV Pole Prevision	4pcs



BEWE01

Electric homecare bed



Technical Configuration

Linear Motor	3pcs
5"Hardshell Castors	4pcs
6 Column Metal Foldable Side Rail	1set
Wood H / F Bed Ends with Safe Lock	1set
IV Pole	1pc
IV Pole Prevision	4pcs

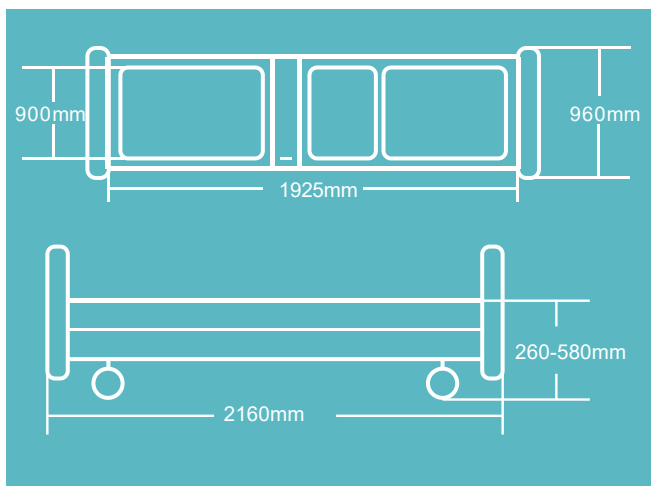
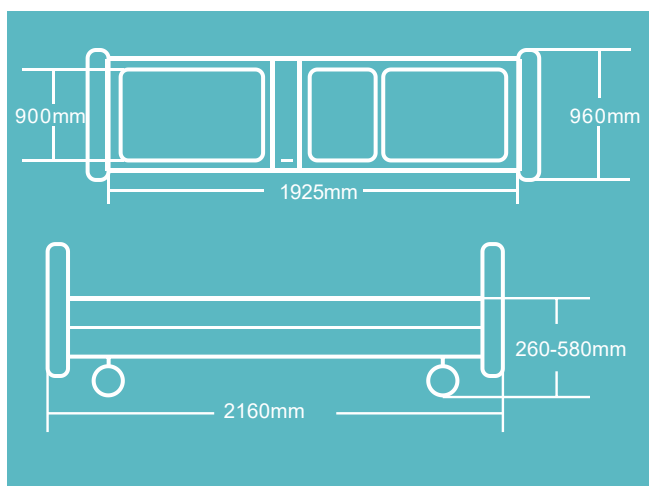
BEWE02

Electric homecare bed



Technical Configuration

Linear Motor	3pcs
Epoxy Coated Metal Guardrail	1set
Wood H / F Bed Ends with Safe Lock	1set
Wooden guard board	1set
IV Pole	1pc
IV Pole Prevision	4pcs



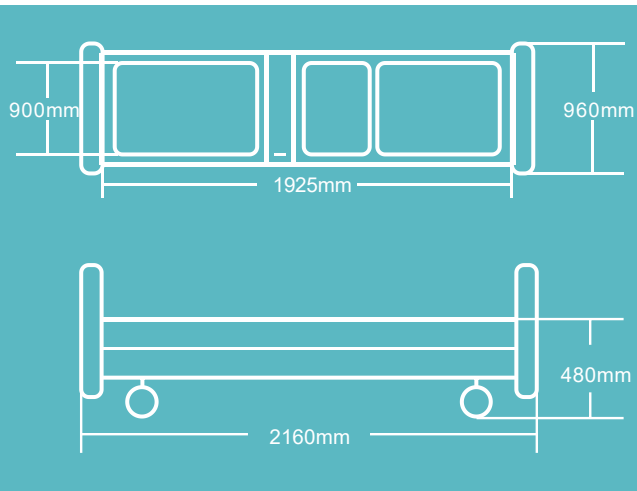
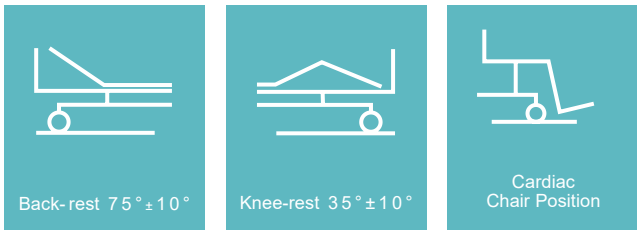
BE20B

Electric homecare bed



Technical Configuration

Linear Motor	3pcs
Eco-friendly Wood Head and Foot Board	1set
5 Column Metal Foldable Side Rail	1set
IV Pole	1pcs
IV Pole Prevision	4pcs
Monkey Pole	1pc
6"Double Side Castors	4pcs



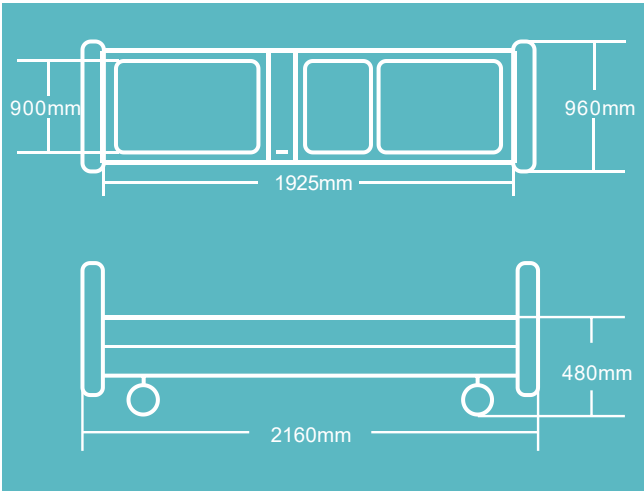
BE20

Electric homecare bed



Technical Configuration

Linear Motor	3pcs
Eco-friendly Wood Head and Foot Board	1set
5 Column Metal Foldable Side Rail	1set
IV Pole	1pcs
IV Pole Prevision	4pcs
Monkey Pole	1pc
6"Double Side Castors	4pcs



BMS10

BMSS10



Technical Configuration

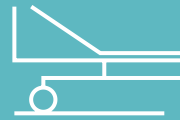
Metal Manual Crank	1pc
Metal Bed Ends	1set
Metal Simple Side Rail	1set
IV Pole	1pc
IV Pole Prevision	4pcs

Technical Configuration

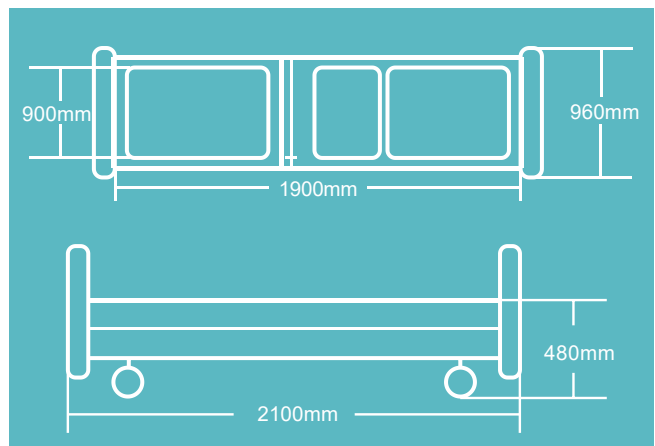
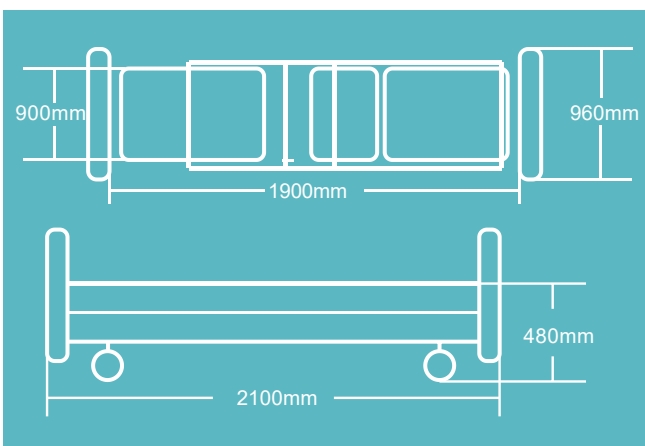
Metal Manual Crank	1pc
Metal Bed Ends	1set
Metal Simple Side Rail	1set
IV Pole	1pc
IV Pole Prevision	4pcs
Drainage hook	2pcs



Back-rest $75^{\circ} \pm 10^{\circ}$



Back-rest $75^{\circ} \pm 10^{\circ}$



BMS20

BMS21

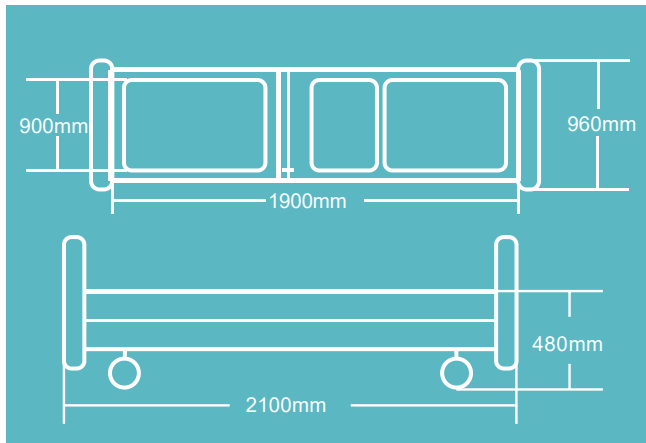
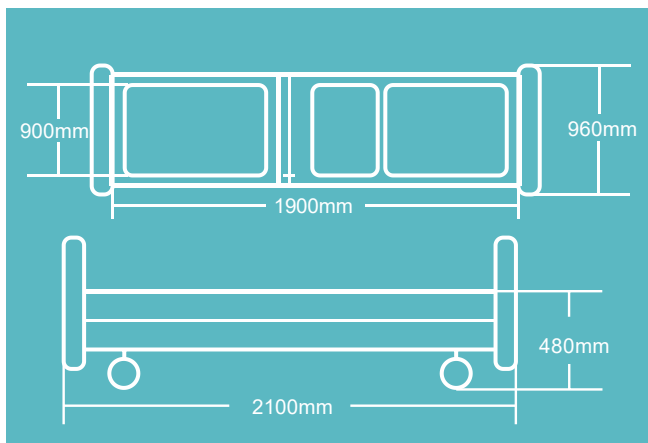


Technical Configuration

Metal Manual Cranks	2pcs
Stainless Steel Bed Ends	1set
Metal Simple Side Rail	1set
IV Pole	1pc
IV Pole Prevision	4pcs

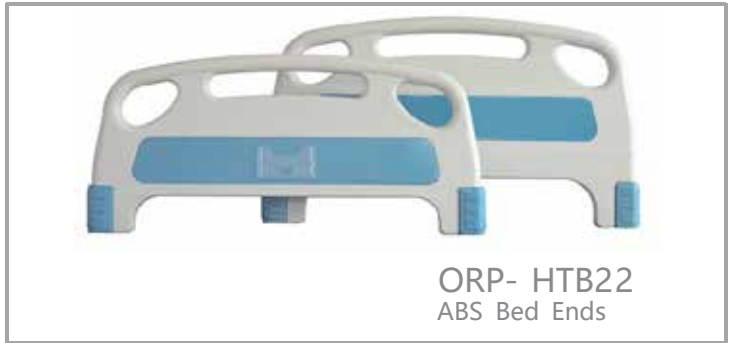
Technical Configuration

Metal Manual Cranks	2pcs
Stainless Steel Bed Ends	1set
5 Column Metal Foldable Side Rail	1set
IV Pole	1pc
IV Pole Prevision	4pcs
Drainage hook	2pcs





ORP- HTB21
ABS Bed Ends



ORP- HTB22
ABS Bed Ends



ORP- HTB10
ABS Bed Ends



ORP- MB01
Monkey Pole



ORP- DSC01
Double Side Castor



ORP- HC02
Single Side Castor



ORP- HC01
5" Single Side Castor



ORP- IV102
IV Pole



ORP- AC01
ABS Manual Crank



ORP- MC01
Metal Manual Crank



ORP- IV01
IV Pole



ORP- IV02
IV Pole

ORP- MSR02
5 Column Metal Foldable Side Rail



ORP- MSR03
6 Column Metal Foldable Side Rail



ORP- PSR01
PP Side Rail



ORP- PSR02
PP Side Rail

ORP- BAM206
Mattress



ORP- BAM207
Mattress



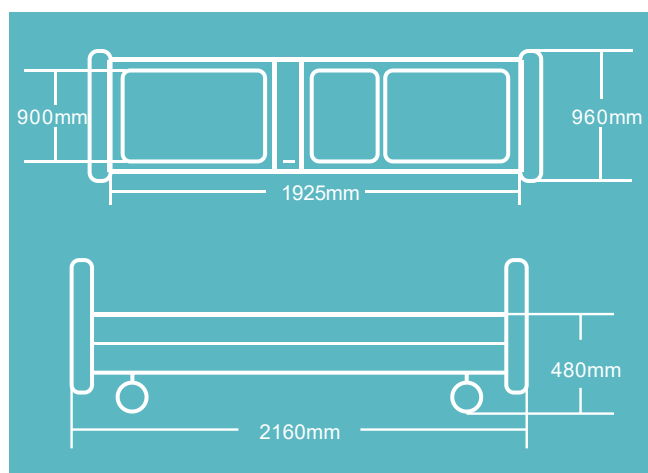
B040

Manual orthopedic traction bed



Technical Configuration

ABS Manual Cranks	3pcs
ABS Bed Ends with Safe Lock	1set
PP Foldable Side Rail	1set
5"Single Side Castors	4pcs
Central Locking Pedal	1pc
IV Pole	1pc
IV Pole Prevision	4pcs
Drainage Hook	2pcs
Traction accessories	1set



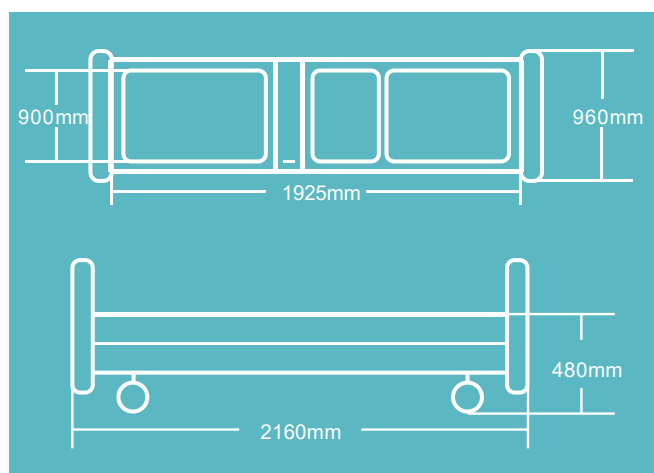
B030

Manual orthopedic traction bed



Technical Configuration

Metal Manual Cranks	3pcs
ABS Bed Ends with Safe Lock	1set
5 Column Metal Foldable Side Rail	1set
5"Single Side Castors	4pcs
IV Pole	1pc
IV Pole Prevision	4pcs
Drainage Hook	2pcs
Traction accessories	1set



Pediatric Bed



BPE01

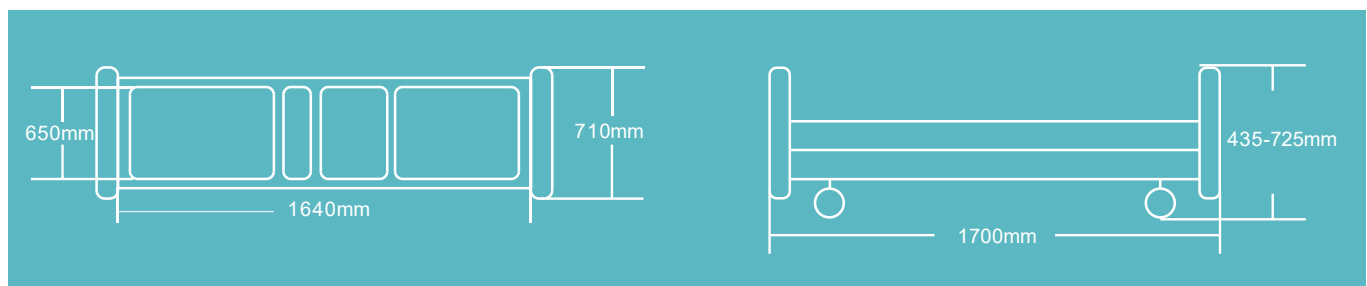
Pediatric electric bed



Technical Configuration

Linear Motor	4pcs
5"Double Side Castors,Central Locking	4pcs
Special Customized Side Rail	1set
Special Customized Bed Ends with Safe Lock	1set
IV Pole	1pc

IV Pole Prevision	4pcs
Drainage Hook	2pcs
Central Locking Pedal	1pc



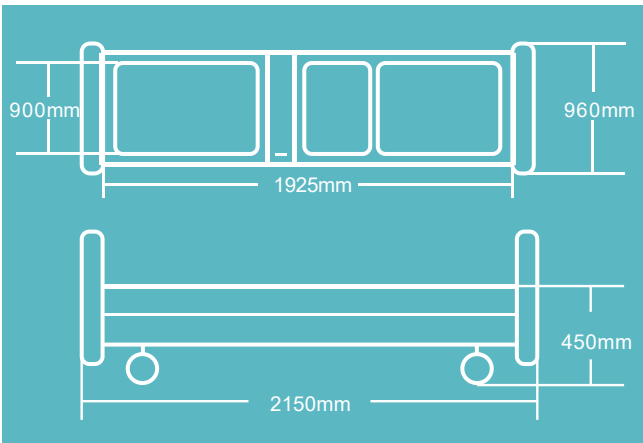
BPM02

Pediatric manual bed



Technical Configuration

ABS Manual Cranks	2pcs
5"Double Side Castors,Central Locking	4pcs
ABS Bed Ends with Safe Lock	1set
Special Customized Bed Ends with Safe Lock	1set
IV Pole	1pc
IV Pole Prevision	4pcs
Drainage Hook	2pcs
Central Locking Pedal	1pc



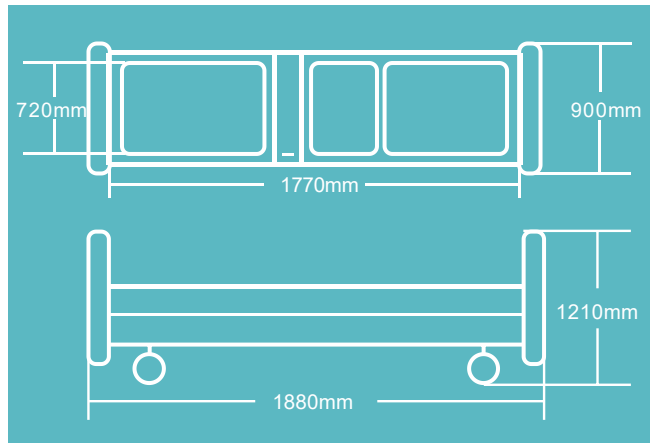
BPM01

Pediatric manual bed



Technical Configuration

ABS Manual Cranks	2pcs
5"Single Side Castors	4pcs
Special Customized Side Rail	1set
Special Customized Bed Ends with Safe Lock	1set
IV Pole	1pc
IV Pole Prevision	4pcs
Drainage Hook	2pcs



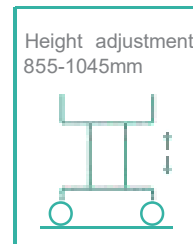
BPB01

Baby Crib



Technical Configuration

4" Double Side Castors	4 (2 with brake function)
Touching Keyboard	1pc
Hydraulic System	1set
Aluminum Alloy Column	1pc



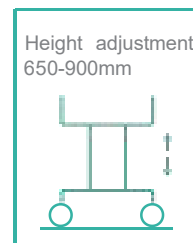
BPB02

Baby Crib



Technical Configuration

Hydraulic Pump	1pc
Bassinet	1pc
3" Single Side Castors	4pcs



BPB03

Baby Crib



Technical Configuration

Bassinet	1pc
3" Covered Castors	4pcs
IV Pole	1set
Utility Container	1 pc
Adjustable Air Spring	1 pc

Trendelenburg 18°





ORP Medical Trolley
ABS / STAINLESS STEEL



ORP601-ET Emergency trolley

750x475x950mm
850x520x950mm



Defibrillator Shelf	1pc
Sliding Side Shelf	1pc
Sharp Container	1pc
Dust Baskets	2pcs
IV Pole	1pc
CPR Board	1pc
Oxygen Bottle Holder	1pc
Power Outlet	1pc
Central Lock	1set
File Box	1pc

ORP601-AT Anesthesia trolley



ORP601-AT20
Anesthesia trolley



ORP602-ET
Emergency trolley



ORP602-AT
Anesthesia trolley



ORP602-AT20
Anesthesia trolley



ORP316-MT
Medicine trolley



ORP100M
Medicine trolley



ORP315-AT
Anesthesia trolley



ORP311-CT
Clinical trolley



ORP310-CT
Clinical trolley



ORP312-IV
Infusion cart



ORP313-IV
Infusion cart



ORP1300-ET

Emergency trolley
850x520x960mm
750x475x930mm



ORP700-MT
Medicine trolley
750x475x930mm



ORP700-ET
Emergency trolley



ORP700-AT
Anesthesia trolley



ORP700-CT
Clinical trolley



ORP700-CT10
Clinical trolley

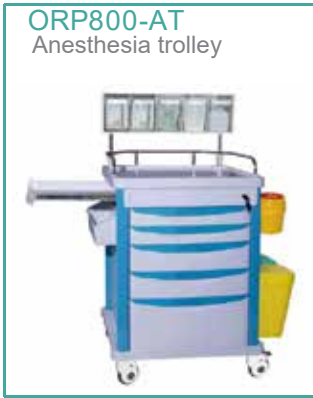
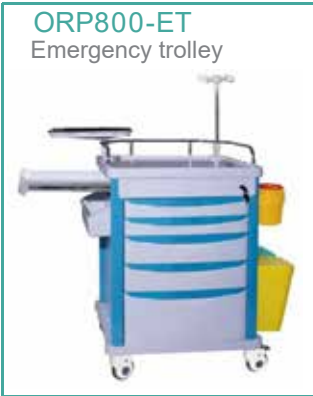


ORP700-IV
Infusion cart



ORP700-IV10
Infusion cart





ORP1005-CC

Mobile nursing workstation
626x475x950mm
650x480x950mm



ORP1001-NC

Nursing work cart
600x460x900mm



ORP1002-NC

Nursing work cart
623x475x950mm
690x482x950mm



ORP1003-NC

Nursing work cart
780x475x1000mm



ORP1004-NC

Nursing work cart
610x410x860mm
710x450x880mm



ORP910

Morning care cart
988x541x936mm



ORP-TS35

Morning care cart
900x450x1050mm



ORP912

Morning care cart
1005x540x936mm



ORP-TS49

Waste collecting trolley
800x590x890mm



ORP-TS48

Waste collecting trolley
800x600x840mm



ORP-TS21

Stainless steel laundry trolley
800x600x840mm



ORP-TS15

φ600x840mm



ORP901-MT

Emergency trolley
623x475x950mm
690x482x950mm



ORP901-AT

Anesthesia trolley
670x450x880-960mm



ORP901-ET

Emergency trolley
670x450x940mm



ORP901-MT10

Medicine trolley
670x450x940mm



ORP901-CT

Clinical trolley
690x450x840/970mm



ORP901-MT11

Medicine trolley
650x480x950/1030mm



ORP901-CT10

Clinical trolley
710x480x880mm



ORP101-NC

Multifunction trolley
600x410x985mm
670x475x985mm
730x480x985mm



ORP100-NC

Multifunction trolley
600x410x985mm
670x475x985mm
730x480x985mm



ORP201-MR

Case history trolley
450x410x890mm(25shelves)



ORP200-MR

Case history trolley
750x410x890mm(50shelves)



ORP-MRF01

Medical record folder
230x320mm
230x355mm
320x320mm



ORP901-MR

Case history trolley
385x410x940mm(25shelves)



ORP902-MR

Case history trolley
705x410x940mm(50shelves)



ORP-TS16

Stainless steel trolley
for Medical Record Holder
(40 shelves)
630x430x900mm



ORP-TS17

Insulated food cart
1320x580x1150mm



ORP-TS20

Treatment trolley
670x450x900mm



ORP-TS20A

Dressing trolley
670x450x900mm



ORP-TS23

Dressing trolley
670x450x900mm



ORP-TS24

Treatment trolley
460x460x860mm



ORP-TS24A

Treatment trolley
670x450x900mm



ORP-TS25

Instrument trolley
(Disassembly structure)
670x450x900mm



ORP-TS26

Instrument trolley
670x450x900mm



ORP-TS27

Mayo Trolley
500x350x870-1300mm



ORP-TS31

Wash Basin
φ500x810x1300mm



ORP-TS32

Anesthesia trolley
600x400x850mm



ORP-TS33

Oxygen bottle trolley
1435x360x1040mm



ORP-TS34

Emergency Trolley
700x400x850mm




ORP-TS34A

Emergency Trolley
700x400x850mm



ORP-TS36
 Fan-shaped Instrument trolley
 L:1550x460x900mm
 M:1400x460x900mm
 S:1200x460x900mm



ORP-TS38
 Infusion Treatment trolley
 600x400x850mm



ORP-TS39
 Stainless Steel Trolley
 L:1000x500x900mm
 M:880x430x860mm
 S:760x360x820mm



ORP-TS40
 Medicine Trolley
 670x450x1000mm



ORP-TS41
 Stainless steel trolley
 for Medical Record Holder
 (20 shelves)
 340x400x900mm



ORP-TS42
 Work table
 1800x700x800mm




ORP-TS43
 Work Table
 1200x800/300x1600



ORP-TS45
 Shelf with four layers
 1200x600x1800mm



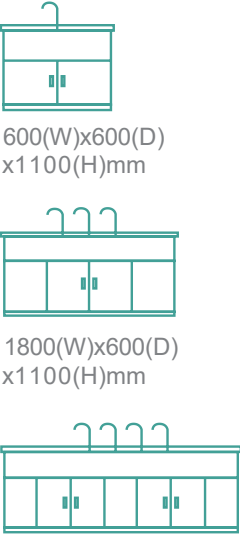
ORP-TS22
 Stainless steel washing sink
 1200(W)x600(D)x1100(H)mm



600(W)x600(D)
 x1100(H)mm

1800(W)x600(D)
 x1100(H)mm

2400(W)x600(D)
 x1100(H)mm



ORP-TS46
 Wet linen trolley
 820x610x750mm



ORP-TS47
 Swab Stand
 900x500x1500mm



ORP-CR01

Single-sided
Medicine Shelf
Size: 800x460x2000mm



ORP-CR02

Rotary
Medicine Shelf
Size: 920x1780mm



ORP-CR03

Adjustable Component
Medicine Shelf
Size: 1025x500x2000mm



ORP-CR04

Two-sided Adjustable
Medicine Tray
Size: 800x860x2000mm



ORP-700CC

Computer Cart
Size: 480x520x900-938/1138mm



ORP-701CC

Computer Cart
Size: 500x500x1400mm



ORP-702CC

Computer Cart
Size: 480x480x770/950mm



ORP-703CC

Computer Cart
Size: 958x635x1665mm

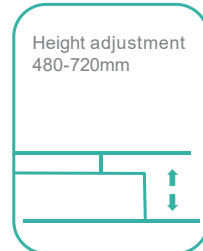
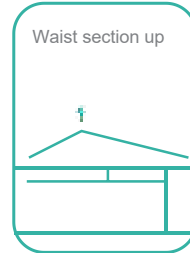


Examination Table



ORP-ETE01

Electric examination table

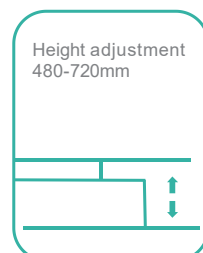
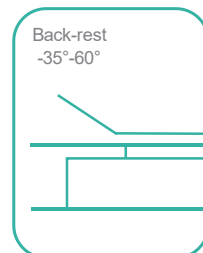


Technical Configuration

Linear Motor	2pcs
Mattress pad	1pc
Handle controller	1pc
Arm support	1set
Head adjustment by gas spring	1set

ORP-ETE03

Electric examination table



Technical Configuration

Linear Motor	1pc
Mattress pad	1pc
5"Single Side Castors	4pcs
Drainage hook	1pc

ORP-ETM01
Manual examination table



Technical Configuration

Anti -slip Bed Feet Cover	4pcs
Mechanical Lever to Adjust Back Rest	1set
Size:1900*600*680mm(Standard or Customize)	

ORP-ETM02
Manual examination table



Technical Configuration

Anti -slip Bed Feet Cover	4pcs
Size:1900*600*680mm(Standard or Customize)	

ORP-ETM03
Manual examination table



Technical Configuration

Anti -slip Bed Feet Cover	4pcs
Size:1900*600*680mm(Standard or Customize)	

ORP-ETM04
Manual examination table



Technical Configuration

Anti -slip Bed Feet Cover	4pcs
Pillow	1pc
Size:1800*620*700mm(Standard or Customize)	

ORP-OTE03

Electric operation table



Technical Configuration

Mattress pad	1 pc	Arm support	1 set
Handle controller	1 pc	Leg support	1 set
Anesthetic screen frame	1 pc		
Shoulder Support	1 set		



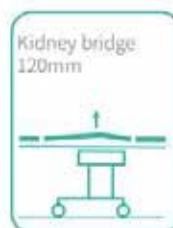
ORP-OTE04

Electric operation table



Technical Configuration

Mattress pad	1 pc	Leg support	1 set
Handle controller	1 pc	Kidney bridge	1 pc
Anesthetic screen frame	1 pc		
Shoulder Support	1 set		
Arm support	1 set		



ORP-OTM02

Manual operation table



Technical Configuration

Mattress pad	1 pc	Leg support	1 set
Manual control system	1 set	Kidney bridge	1 pc
Anesthesia Screen Frame	1 pc		
Shoulder Support	1 set		
Arm support	1 set		



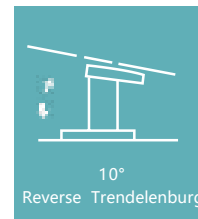
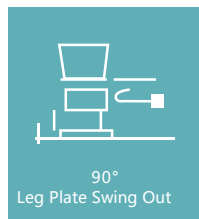
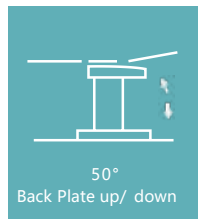
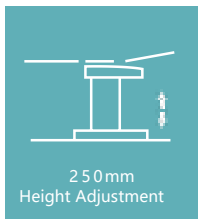
ORP-BDE01

Electric delivery bed



Technical Configuration

Mattress pad	1pc	Anesthetic screen frame	1pc
Pedal remote controller	1pc	Sewage basin	1pc
Arm support	1set	Leg support	1set



ORP-BGT02

Electric delivery bed



Technical Configuration

Mattress pad	1pc	Leg support	1set
Handle controller	1pc	Anesthetic screen frame	1pc
Arm support	1set	Sewage basin	1 pc

ORP-BGT05

Multi-function Manual Delivery Bed

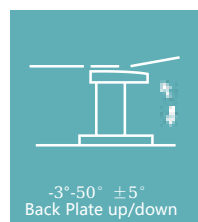
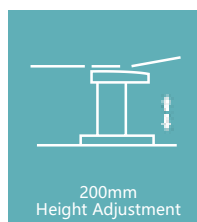


Technical Parameter

External Length	1900mm
External Width	600mm
Bed Height Min	700mm
Bed Height Max	900mm
Auxiliary Bed Size	600x600mm
Trendelenburg	20°±3°
Reverse Trendelenburg	10°±3°
Back Section Adjustment	-3°-50°±5°
Leg Section Outwards	90°
Load Capacity	250kg

Technical Configuration

Mattress pad	1pc
HandWheel	4pcs
Arm Support	2pcs
Leg Support	2pcs
Anesthetic Screen Frame	1pc
Sewage Basin	1pc
Pull Handle	2pcs
Rotary Brake	2pcs



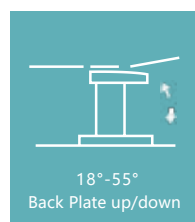
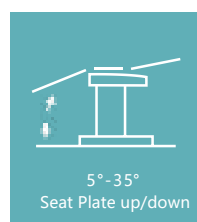
ORP-BGT01

Manual delivery bed



Technical Configuration

Mattress pad	1pc
Leg support	1set



ORP-BAM200 Mattress



Size:200*90*10cm
Thickness:10cm/12cm/14cm
Material:PVC Composite

ORP-BAM201 Mattress



Thickness:6cm/8cm/10cm/12cm/14cm
Material:polyurethane foam with high density sponge

ORP-BAM202 Mattress



Size:1950*900(according by your bed)
Thickness:6/8/10/12/14cm optional
Density:40pounds/m3
Material:PVC Composite

ORP-BAM203 Mattress



Size:200*90*10cm
Thickness:10cm/12cm/14cm
Material:PVC Composite

ORP-BAM204 Mattress



Thickness:6cm/8cm/10cm/12cm/14cm or more optional
Material:TPU Composite
Air Through Water Proof
Sectional Foam

ORP-BAM205 Mattress



Upper Layer:High density 42-45kg/m ³
Firm Base Layer:High density 40kg/m ³
Size:1925*900*140mm
Customized size acceptable



Bed Side Cabinet

ORP-BSC100
Bed side cabinet
Size:480*480*760mm



ORP-BSC100A
Bed side cabinet
Size:480*480*760mm



ORP-BSC101
Bed side cabinet
Size:480x480x760 mm



ORP-BSC102
Bed side cabinet
Size:480x480x870 mm



ORP-BSC103
Bed side cabinet
Size:450*420*790mm



ORP-BSC104
Bed side cabinet
Size:480x480x760 mm



ORP-BSC105
Bed side cabinet
Size:450x420x740 mm



ORP-BSC106
Bed side cabinet
Size:480x480x760 mm



ORP-BSC200
Bed side cabinet
Size:530*450*700mm



ORP-BSC300
Bed side cabinet
Size:460x470x700mm



ORP-BSC302
Bed side cabinet
Size:400*440*770mm



ORP-BSC500
Bed side cabinet
Size:530*450*700mm



ORP-BSC900
Bed side cabinet
Size:480*480*790mm



ORP-BSC901
Bed side cabinet
Size:530x400x745 mm
Dining Table Max.
Height:950mm



ORP-BSC902
Bed side cabinet
Size:480*480*790mm



ORP-BSC903
Bed side cabinet
Size:530*450*700mm



ORP-BSC904
Bed side cabinet
Size:400*440*770mm



ORP-OBT100

Size: 1190×315mm
Telescopic 150mm



ORP-OBT101

Size: 1050×320mm
Telescopic 150mm



ORP-27E-B

Table Top Table: 900×380mm
Height Min: 740mm
Table Height Max: 1010mm



ORP-OBT201

Size: 800×410×730-1130mm
Height Adjustment: 400mm
Turning Table Board



ORP-OBT202

Size: 800×410×730-1130mm
Height Adjustment: 400mm



ORP-OBT203

Size: 900×405×700-1000mm
Height Adjustment: 300mm



ORP-OBT204

Size: 760×380×730-1130mm
Height Adjustment: 400mm



ORP-OBT05

Table Top Table: 820×400mm
Height Min: 720mm
Table Height Max: 960mm



ORP-OBT212

Table Top Table: 820×450mm
Height Min: 790mm
Table Height Max: 1010mm



ORP-OBT207

Size: 910×450×740-1090mm
Height Adjustment: 350mm



ORP-OBT08

Size: 850×420×725-965mm
Adjustable height: 300mm



ORP-OBT209

Table Top Table: 820×400mm
Height Min: 740mm
Table Height Max: 1040mm



ORP-OBT210

Size: 900×450×720-1020mm
Height Adjustment: 300mm



ORP-OBT211

Size: 890×400×895-1195mm
Height Adjustment: 300mm



ORP-CAC01

Attendant chair

Arm	1set	Pillow	1pc
2" Castors	4 pcs	Seat Size	640*720*940mm
3" Castors	2 pcs	Bed Size	640*1900*420mm
Anti-slip Feet Cover	4 pcs		



ORP-CBD100

Blood donation chair

Arm Support	2pcs
Anti-Slip Feet Cover	4pcs
Size	800*660*490mm



ORP-CED100

Blood donation chair

Backrest height	830mm
Arm spacing	700mm
Handrail height	610mm
Overall height	1290mm
IV Pole	1pc
Adjust angle	91°-170°



ORP-CAC02

Attendant chair

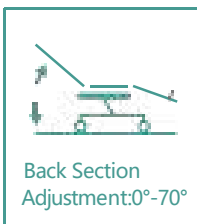
3" Silent Caster	4 pcs
Seat Size	680*730*940 mm
Bed Size	680*1900*420mm



ORP-CDC101

Dialysis chair

Hand Controller	1 pc
Power Line	1 pc
3" Silent Caster	4 pcs
Size	1880*580*560mm
Armrest size	480*160mm



ORP-E01

Treat-waiting chair

Material: Powder Coated

Size: 1780x740x800mm



ORP-E02

Treat-waiting chair

Material: Chromed Steel

Size: 1800x740x800mm



ORP-E03

Treat-waiting chair

Material: PVC

Size: 1655x675x870mm



ORP-E04

Treat-waiting chair

Material: PU

Size: 1765x675x905mm



ORP-A01

Curtain



ORP-IV101

I.V. Stand

Size: 500x490x1310-2170mm



ORP-IV100

I.V. Stand

Size: φ 500x1350-2250mm



ORP-TS52

Trash Can

12L



ORP-TS37

Kick Bucket

Size: φ 400 x φ 300 x 165mm

14L



ORP-LR602

Reclining chair



Size(chair)	1080x770x1280mm
Package Size	970x820x750mm
Net weight	44kg
Description	
The fabric is pressed PVC artificial leather, angle adjuster spring gas, With flip dining table, 5-inch caster	

ORP-LR601

Reclining chair



Size(chair)	1100×660×1180mm
Package Size	950*700*720mm
Net weight	41kg
Description	
The fabric is pressed PVC artificial leather, 3 angles adjustable, with Lockable dining table, 5-inch caster	

ORP-TX-2

Dialysis chair



Weight	70kg±3kg
Safe Maximum Load	240kg
Backrest Adjustment	(-12°~75°)±5°
Legrest Adjustment	(-75°~12°)±5
Backrest length	860mm±20mm
Height of armrest	230~290mm±20mm

Total Length	1950mm±20mm
Seat width	600mm (total width 900mm including armrest)±20mm
Seat height	580-780mm±20mm
Castor	4xφ100mm swivel castors with seperate brakes
Pillow size	410x230x80±20mm

ORP-TX-3

Dialysis chair



Material	Painted Steel PVC Leather	Description
Size(open)	1880×860×580mm	The fabric is pressed PVC artificial leather the chair includes user friendly features,such as adjustment angle of electric ,CPR function,headrest,foot step,Tranberg position
Carton Size/1pcs	1610×820×600mm	
N.W.	62kg	
G.W.	72kg	
weight limit	200KG	

ORP-CAC05

Reclining chair

Back size:750*540mm
Seat size:540*540mm
Leg size:560*540
Arm rest width :120mm
Chair surface height:600mm
Back section lift : 0°-70
Leg section lift : 0°-90°
Caster 3inch (two with brakes)
Load bearing:250kg



ORP-AE08

Reclining chair

Chair size:900x850x1050mm
Length: 1600mm (lying)
Material:PU
Castor:Hidden type
Carton size::1000 x 820 x 800mm
Back rest:110°- 160°
Leg rest: 0°-80°



ORP-CAC03

Luxurious Accompanier's Chair

Size	800x710x430mm(high backrest 980mm)
Expand Size	2040x710x430mm
Package Size	770x600x340mm / 740x740x170mm
Net weight	36kg
Description	
The fabric is pressed PVC artificial leather, wooden armrest.	



ORP-AE09

Luxurious Gas Spring Transfusion-Chair

Size	900x850x450mm(high backrest 1050mm)
Package Size	870x850x635mm(semi-assembled)
Net weight	38kg
Description	
Sofa style appearance design, the fabric is pressed PVC artificial leather, the frame is partial steel structure, mutecasters, gas spring insideany angles adjustable.	



ORP-TS51
Stainless Steel Screen
Size:2000x1870mm



ORP-TS51C
Medical curtains
Height: 1.45 m , 1.65 m or 1.85 m



ORP-TS50
Step Stool
Size:490x405x170/340mm



ORP-E15
Nurse Stool
Size:φ330x445-575mm



ORP-E08
Nurse Stool
Size:φ350x490-630mm



ORP-E09
Nurse Stool
Size:φ330x445-575mm



ORP-E10
Nurse Stool
Size:φ330x445-575mm



ORP-E05
Office Chair
Size:480x430x460-560mm



ORP-E06
Office Chair
Size:480x470x900mm



ORP-E11
Nurse Stool
Size:440x400x450-590mm



ORP-E12
Nurse Stool
Size:330x230x450-590mm



ORP-E13
Nurse Stool
Size:φ350x435-575mm



ORP-E14
Stainless Steel Surgical
Stool Size:φ295x500-700mm



ORP-E07
Nurse Stool
Size:φ340x490-680mm



ORP-ST02

Stretcher trolley
Size: 1960x600x810mm



ORP-ST03

Patient trolley
Size: 1960x600x810mm



ORP-PT02

Patient trolley

Size: 1930x640x540-840mm



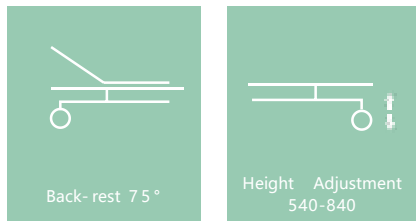
ORP-PT01

Patient trolley
Size: 1960x700x620-860mm



ORP-PT02A

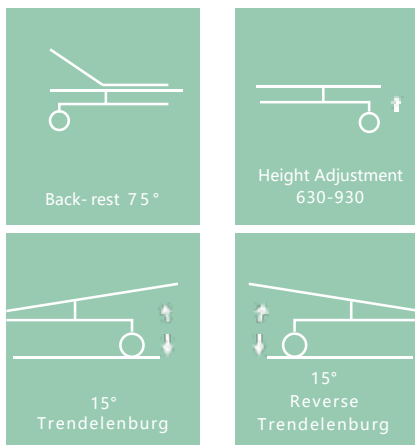
Patient Trolley



Metal Manual Cranks	1pc	IV Pole Prevision	2 pcs	Central locking break pedal	1pc
5"Double Side Castors,Central Locking	4 pcs	Oxygen cylinder holder	1 pc	Size:1906*610*862 - 566mm	
PP Foldable Side Rail	1 set	Backrest gas spring	1 pc		
IV Pole	1 pc	Directional wheel	1 pc		

ORP-HPT01

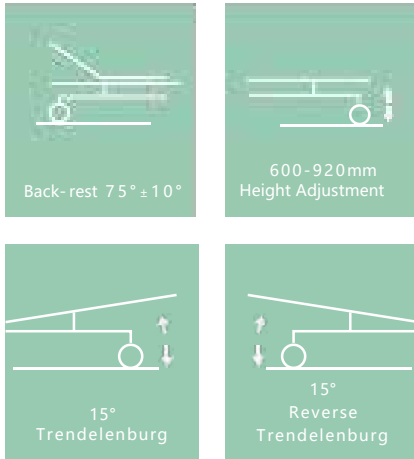
Patient trolley



Hydraulic Pump	2pcs	Directional wheel	1pc	Directional Pedal	2pcs
Back Rest Gas Spring	1pc	IV Pole Previsions	2pcs	Transfer Mattress	1pc
ABS Side Rail	1set	IV Pole	1set	Size:1910*735*630-930mm	
8 "Castors,Central Locking	4pcs	Central Locking Break Pedal	2sets		

ORP-HPT03

Patient trolley



Imported Hydraulic Pump	2pcs	Emergency Push Handle	1set	IV Pole Previsions	4pcs
Crank System	1set	Directional wheel	1pc	Mattress	1pc
Back Rest Gas Spring	2pcs	Foldable Side Rail	1set	IV Pole	1set
8 "Castors,Central Locking	4pcs	φ74mm Wall Bumper Wheel	4pcs	Central Locking Break Pedal	2sets
Directional Wheel Release Pedal	2pcs	X-ray Translucent Bed Platform	1set	Size:2100*750 * 600-920mm	

ORP-OCT01

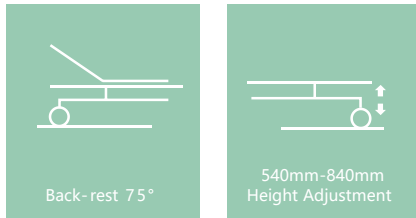
Operation connecting trolley



Crank System	2pcs	Directional wheel	2pcs	Directional Pedal	4pcs
Back Rest Gas Spring	1pc	IV Pole Previsions	2pcs	Size:3650*640/730*700/1000mm	
ABS Side Rail	1set	IV Pole	1set		
6 "Castors,Central Locking	8pcs	Central Locking Break Pedal	4sets		

ORP-HPT04

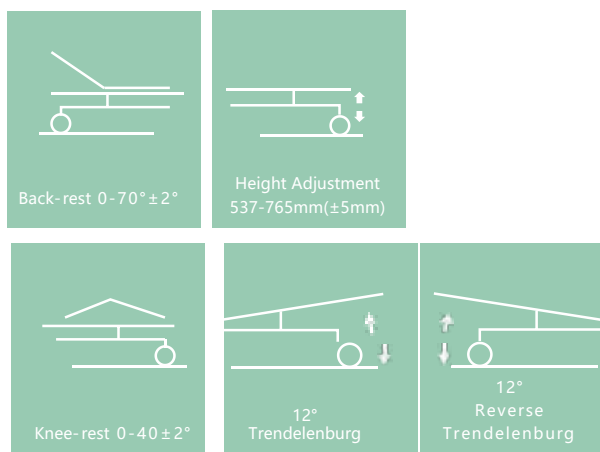
Patient trolley



Back Rest Gas Spring	1pc	Directional wheel	1pc	Transfer Mattress	1pc
PP Side Rail	2sets	IV Pole Previsions	2pcs	Size	1930*640mm*540mm-840mm
6 "Castors,Central Locking	4pcs	IV Pole	1set		
Central Locking Break Pedal	2sets	Met al Manual Cranks	1pc		

ORP-EA9C

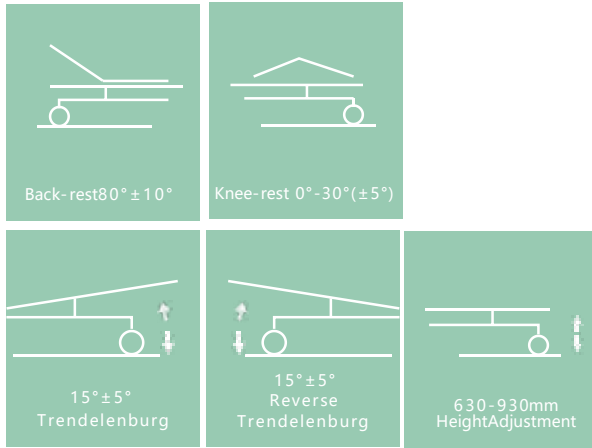
Electric Transfer Stretcher



Stretcher Size	2160mm × 790mm (±10mm)	Product Weight	148KG
Bed Board Size	1930mmLength × 630mm (±10mm)	Capacity	250KG
Height Arrangement	537mm-765mm (±10mm)	Work Noise	<65dB(A)
Castors	4* diameter 200mm universal castors	Battery	24V 6AH

ORP-HPT05

Patient trolley

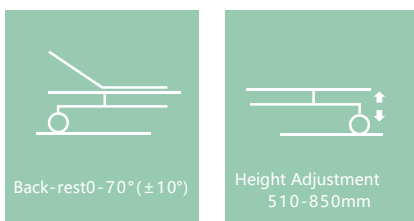


Hydraulic Pump	2pcs	Emergency Push Handle	1set	Load Capacity	250KG
Crank System	1set	Directional wheel	1pc	Size	2170*810*(630-930)mm
Back Rest Gas Spring	2pcs	Folding Side Rail	1set	Directional Wheel Release Pedal	2pcs
200mm Castors Central Locking	4pcs	IV Pole	1set	Mattress	50mm

ORP-PT05

Patient Transportation Trolley

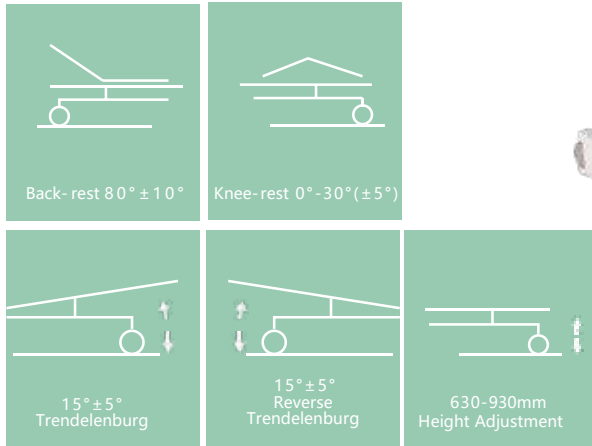
Size: 1930*660*(510-850)mm



Crank System	1set	Directional Wheel	1pc	Oxygen Cylinder Holder	1pc
Back Rest Gas Spring	1pc	Directional Pedal	2pcs	Transfer Mattress	1pc
Plastic Side Rail	1set	IV Pole Previsions	2pcs	Safe Lock for Side Rail	2pcs
6 "Castors, Central Locking	4pcs	IV Pole	1set		

ORP-HPT03S

Patient trolley



Hydraulic Pump	2pcs	Emergency Push Handle	1set	Mattress	50mm
Crank System	1set	Directional wheel	1pc	Size	2170*810*(630-930)mm
Back Rest Gas Spring	2pcs	Folding Side Rail	1set	Load Capacity	250KG
200mm Castors Central Locking	4pcs	IV Pole Previsions	4pcs		
Directional Wheel Release Pedal	2pcs	IV Pole	1set		

ORP-NST04

stainless steel stretcher



Size	1950*600*800mm	Stainless Steel Side Rail	1set
Material	304 Stainless Steel	Safety Strap	1set
Net weight	60kg	Load Capacity	200kg
Anti-slip Casters	4pcs		

ORP-NST05

stainless steel stretcher



Size	1950×600×800(mm)	Thickening wheel	2pcs
Material	304 stainless steel	Stainless steel guardrail	1set
Net weight	60kg	IV Pole	1set
Load Capacity	250kg		
5"Single Side Castors	2pcs		

ORP-NST06

stainless steel stretcher



Size	1950*650*720-900mm	Stainless Steel Side Rail	1set
Material	304 stainless steel	Metal IV Pole	1pc
Net weight	60kg	Safety Strap	1set
Load Capacity	180kg		
Anti-slip Castersr	4pcs		





ENTERPRISE srl - ITALY -

Mob. +39 334 8204934 - info@figaroligirolamo.com



Address:

ISORELLA (Brescia) ITALY
Via G. Garibaldi 36

Mobile:

+39 334 8204934

Email:

info@figaroligirolamo.com

Phone

+39 030 9523043
